



Spares manual

C400

90001707

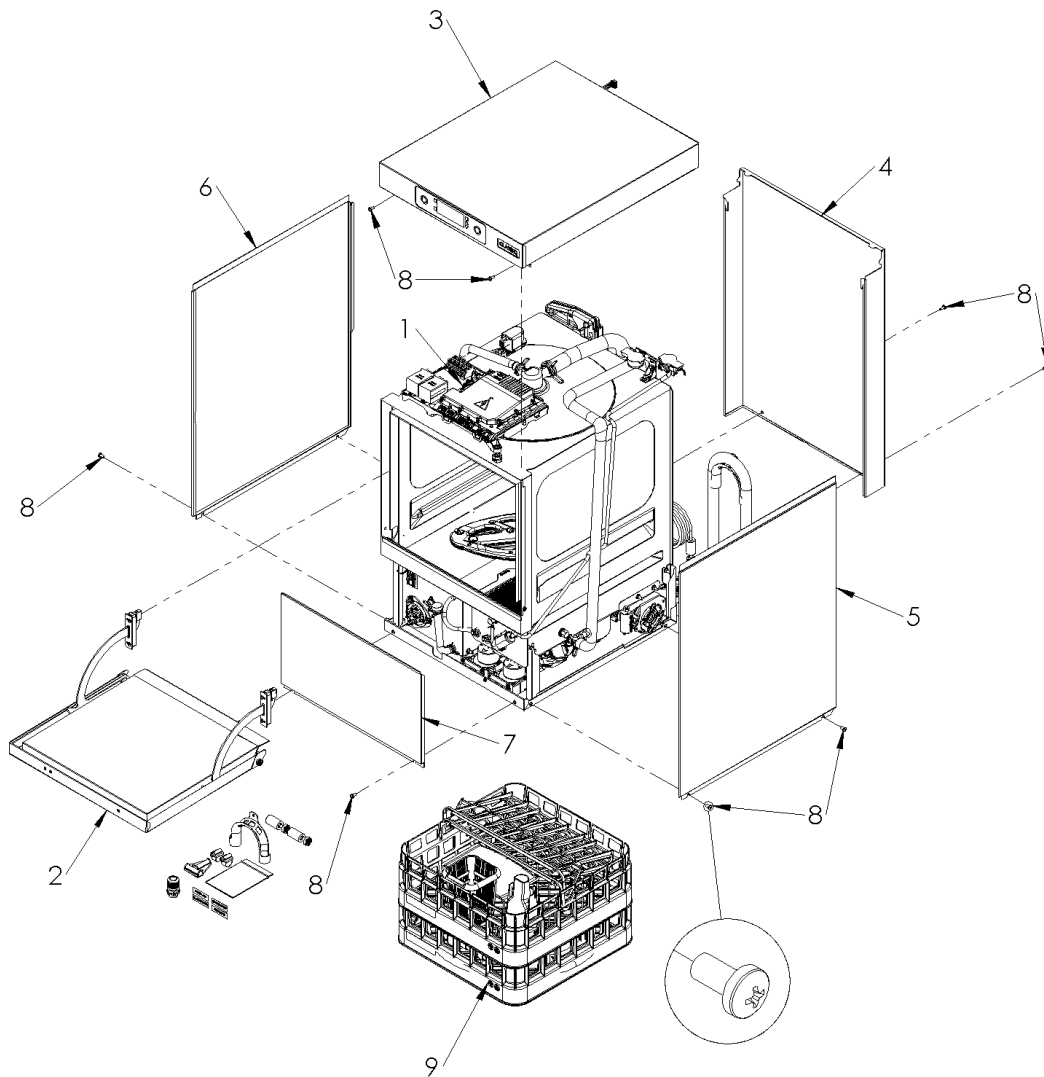
Revision: E

05/11/2025

Table of contents for C400

C400	1
1. Machine Assembly – C400	4
2. Top Panel Assembly – 400 (30018807)	6
3. Door Parts Assembly – 400	8
4. Frame Assembly – C400	10
5. Cabinet Assembly – C400	12
6. Filtration – 400	14
7. Fill System – C400	16
8. Boiler Assembly – Spares (30022867)	18
9. Wash, Rinse & Drain System – 400	20
10. Sump Assembly	22
11. Base Assembly – 400	24
12. Rinse Aid Pump (30018088)	26
13. Detergent Pump (30018087)	28
14. Control Assembly	30
15. Accessories – 400	32
16. Mains Cables	34
17. Fastener Kit (30018806)	34
18. 60Hz Pump Variants	34

1. Machine Assembly – C400

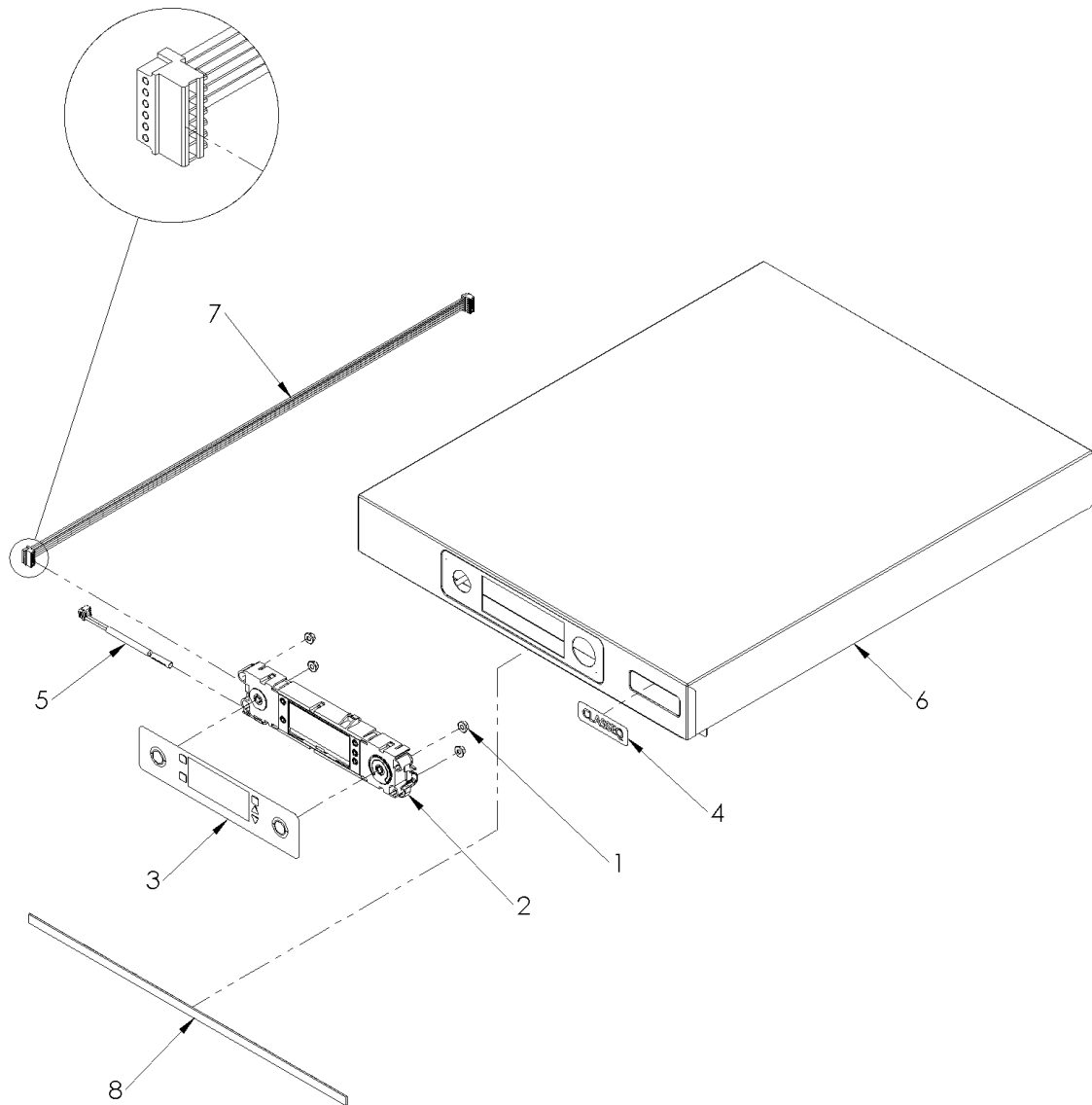


90001662-A

1. Machine Assembly – C400 – BOM

Item	Description	Part number	QTY.	Note
1	Frame Assembly STD 400mm		1	Further Part breakdown of assembly available in Manual
2	Door Parts Assembly		1	Further Part breakdown of assembly available in Manual
3	400mm Top panel Assembly Spares	30018807	1	
4	Rear Panel 400mm	30018051	1	
5	Side Panel Right 400mm	30018052	1	
6	Side Panel Left 400mm	30018053	1	
7	Front Panel 400mm	30018054	1	
8	M5 x10mm Posi Head Screw		10	Available with Fastener Kit
9	UC Accessories - 400		1	

2. Top Panel Assembly – 400 (30018807)

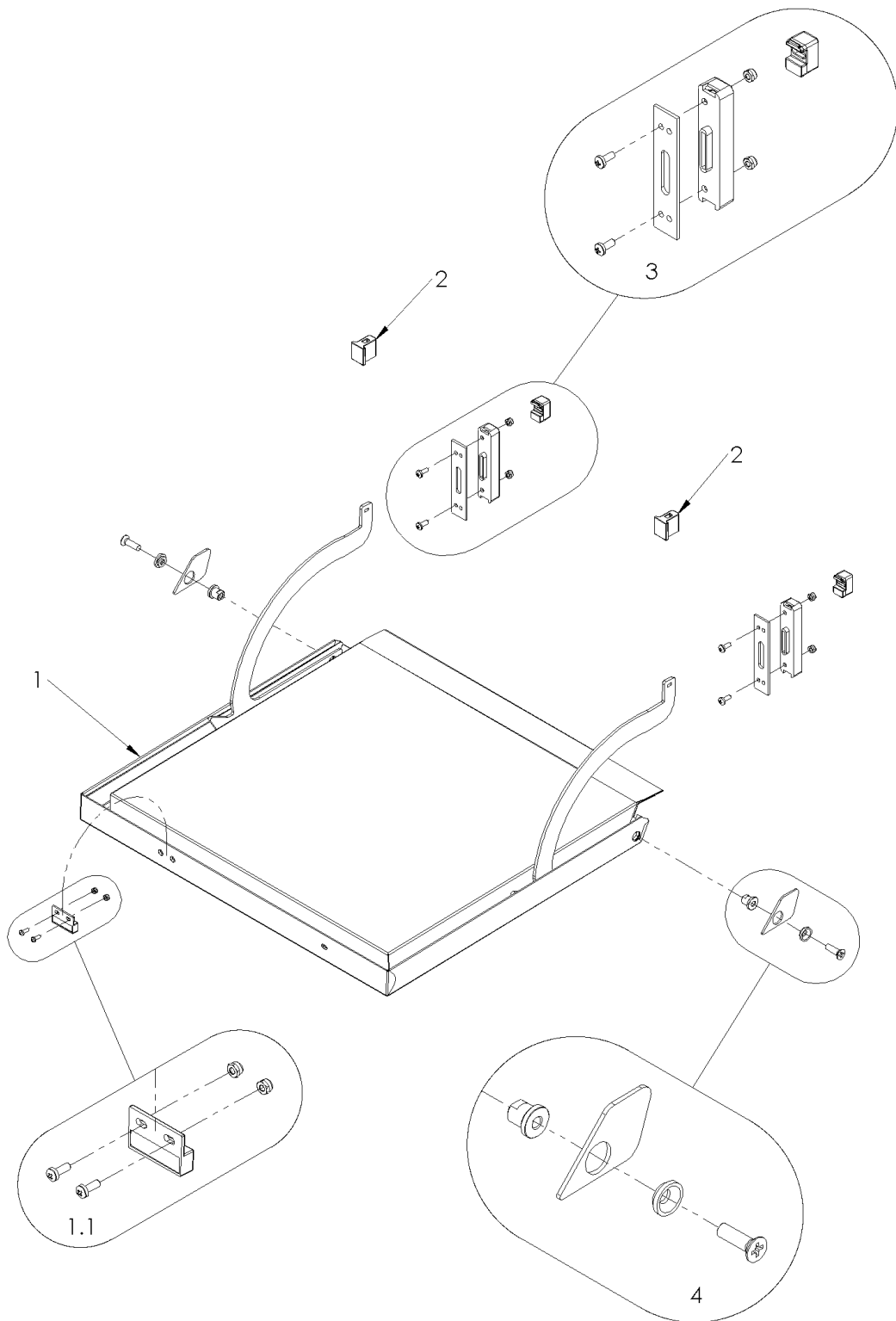


30018807-A

2. Top Panel Assembly – 400 – BOM

Item	Description	Part number	QTY.	Note
1	M5 Flange nut (DIN 6923)		4	Available with Fastener Kit
2	Display Unit (Programmed)	30018917	1	
3	Fascia	30018124	1	
4	CLASSEQ badge	30018290	1	
5	Door switch	30018123	1	
6	Top Panel 400mm		1	
7	UI Harness	30017998	1	
8	400mm Foam seal	30011635	1	

3. Door Parts Assembly – 400

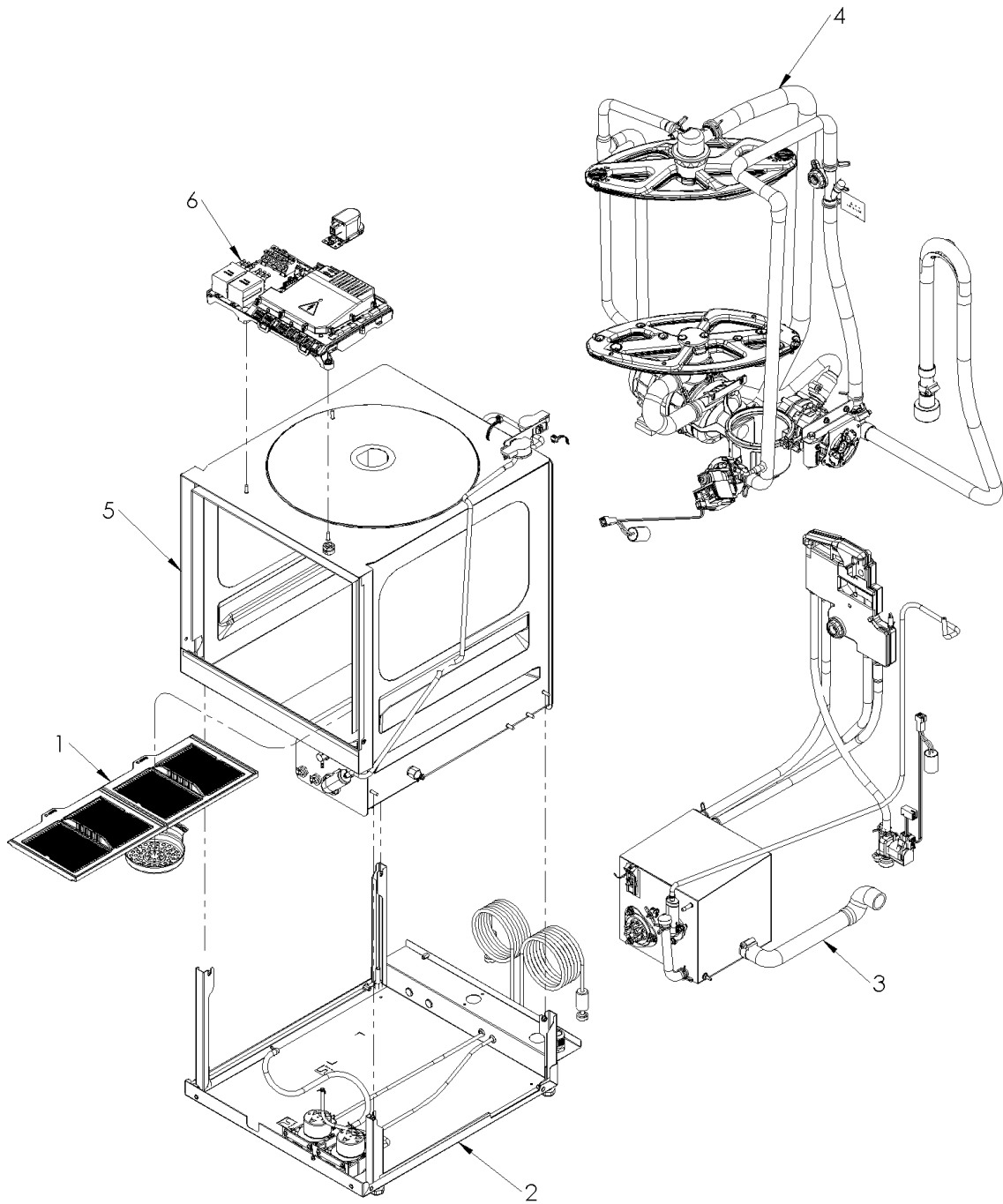


90001651-C

3. Door Parts Assembly – 400 – BOM

Item	Description	Part number	QTY.	Note
1	400mm Door Assembly Spares	30018808	1	
1.1	Sales Kit - Magnet [UC]	30022863	1	Includes fixings
2	Door Hinge cap	30018098	2	
3	Sales Kit - Hinge Guide	30018801	2	Includes fixings
4	Sales Kit - Hinge Pivot with boss	30019013	2	Includes fixings

4. Frame Assembly – C400

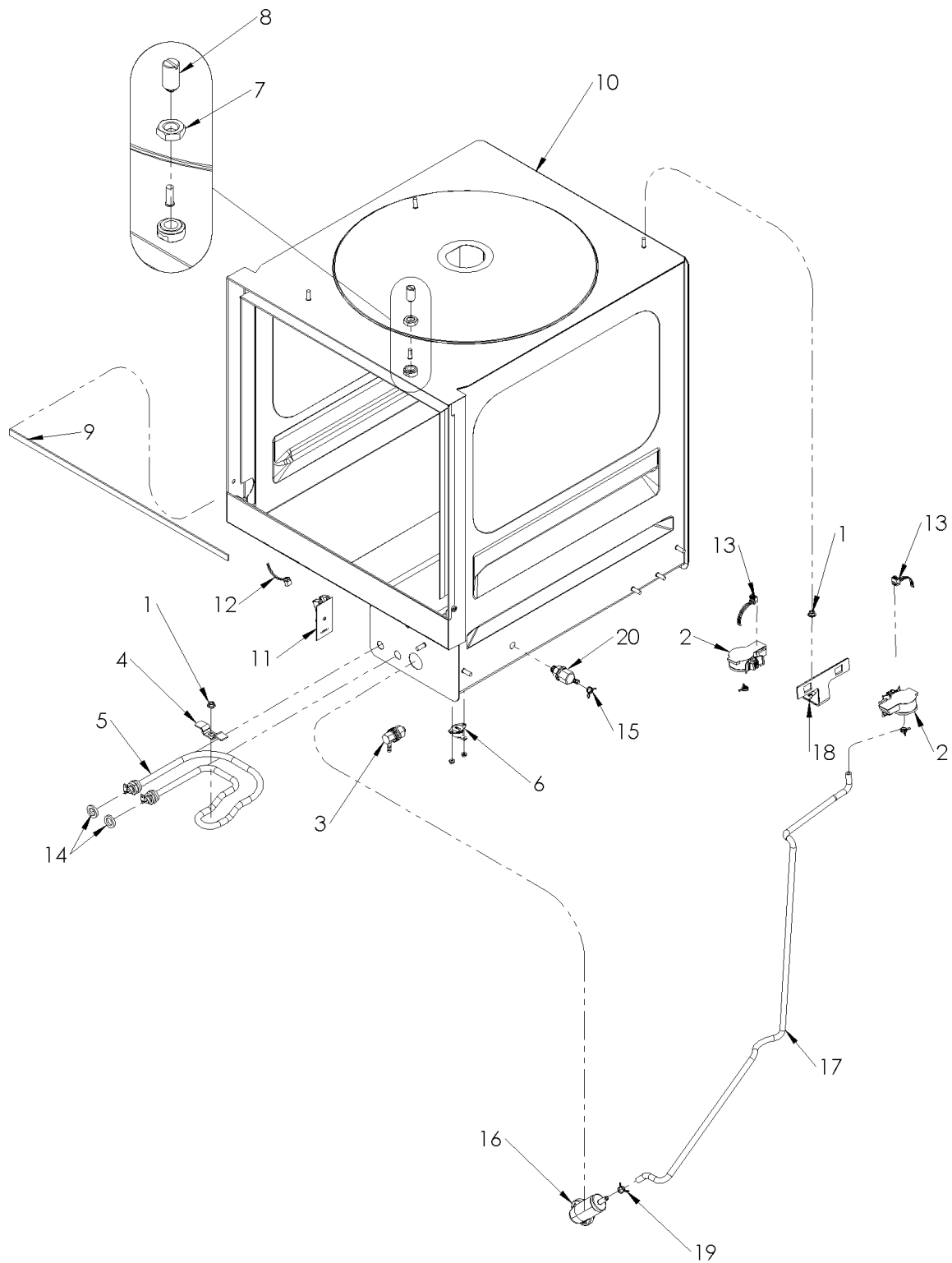


90001661-B

4. Frame Assembly – C400 – BOM

Item	Description	Part number	QTY.	Note
1	Filtration 400mm		1	Further part breakdown of assembly available in Manual
2	Base Assembly 400mm		1	Further part breakdown of assembly available in Manual
3	Fill System STD 400mm [3]		1	Further part breakdown of assembly available in Manual
4	Wash Rinse & Drain System 400mm		1	Further part breakdown of assembly available in Manual
5	Cabinet Assembly STD 400mm		1	Further part breakdown of assembly available in Manual
6	Control Assembly		1	Further part breakdown of assembly available in Manual

5. Cabinet Assembly – C400

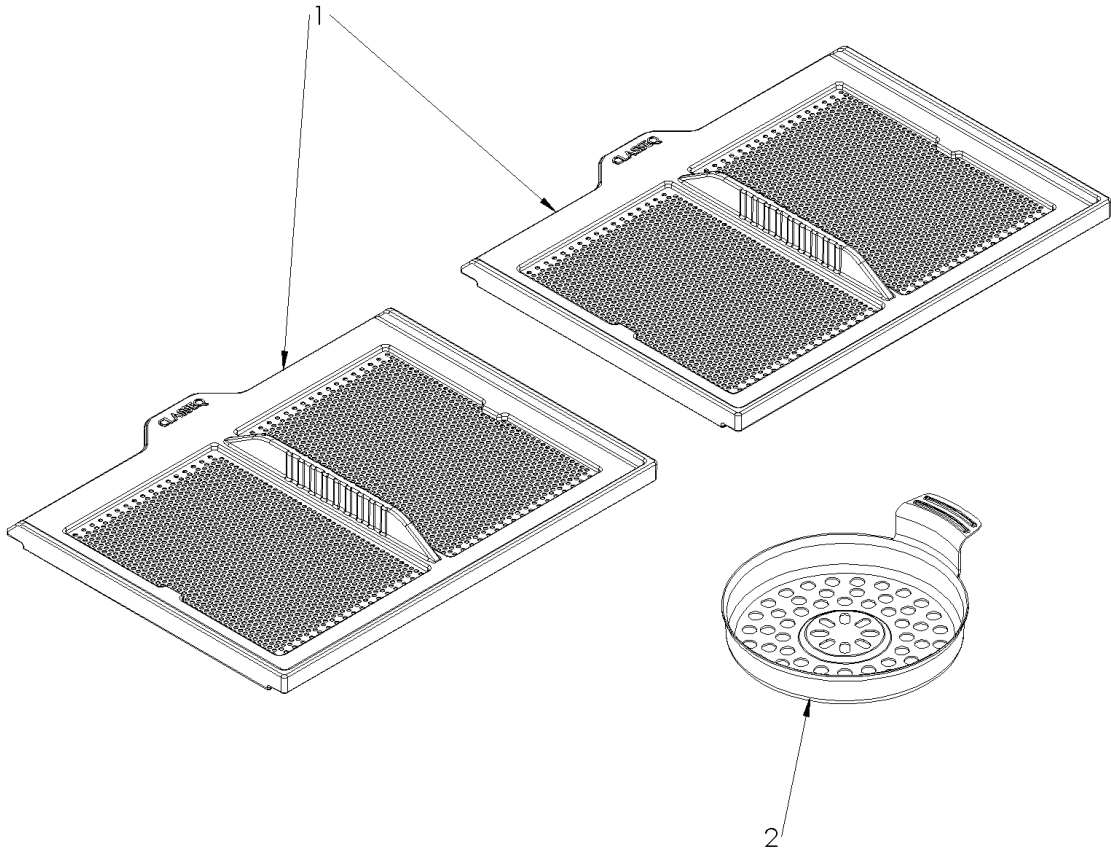


90001660-C

5. Cabinet Assembly – C400 – BOM

Item	Description	Part number	QTY.	Note
1	M5 Flange nut (DIN 6923)		2	Available with Fastener Kit
2	Sales Kit - Pressure Sensor	30019017	2	Includes fixings
3	Detergent inlet fitting	30011822	1	
4	Wash Element Retaining Bracket	30006126	1	
5	Wash Element 2kW	30018105	1	Includes 2x Washers & 2x M12 fine thread thin nut
6	Sales Kit - 85°C thermal cut-out	30019016	1	Includes fixings
7	M12 Thin nut	30001070	1	
8	Ball catch - M12	30001064	1	
9	400mm Foam seal	30011635	1	
10	Cabinet STD 400mm	30018041	1	Not available as a spare
11	Sales Kit - Thermo sensor	30002179	1	
12	KIT MACRO-MODULE PLUG SIZE 2,5 2-POLE	30000197	1	
13	KIT MACRO-MODULE PLUG SIZE 2,5 3-POLE	30000198	2	
14	Wash element fibre washer 19mmx3mm	30014272	2	
15	Spring Clip - Ø7.8mm to Ø8.3mm		1	
16	Kit air pressure chamber	60003525	1	
17	Wash tube [APS] (400/500)	30014330	1	
18	Air Pressure Sensor - Plastic Mount	60004493	1	
19	Spring clip - Ø8.8mm to Ø9.3mm		1	
20	Sales Kit - Recirculation Vent	30022825	1	Includes fixings & seal

6. Filtration – 400

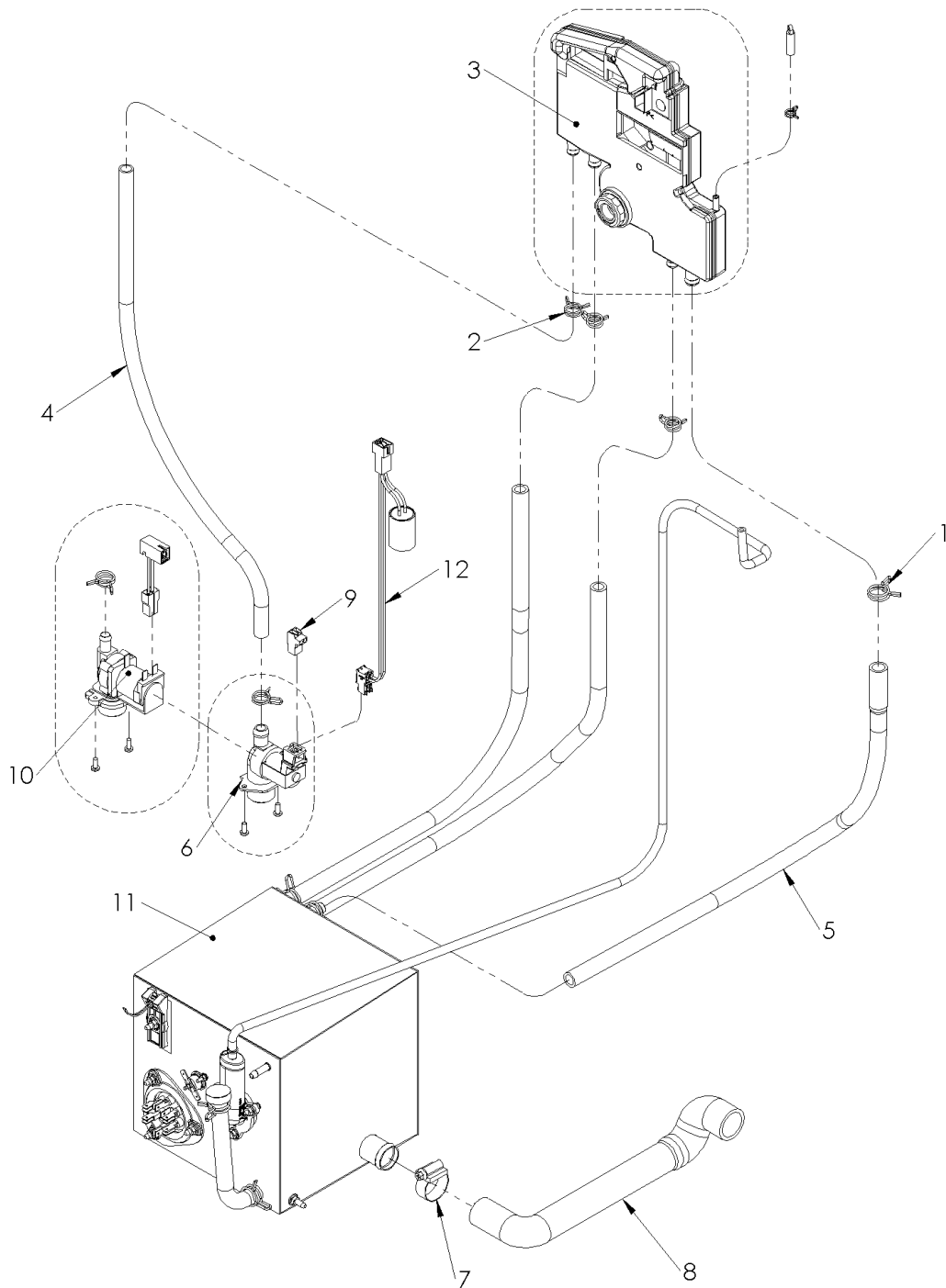


90001658-A

6. Filtration – 400 – BOM

Item	Description	Part number	QTY.	Note
1	Primary Filter 400mm	30017902	2	
2	Secondary Filter Stainless steel	30017864	1	

7. Fill System – C400

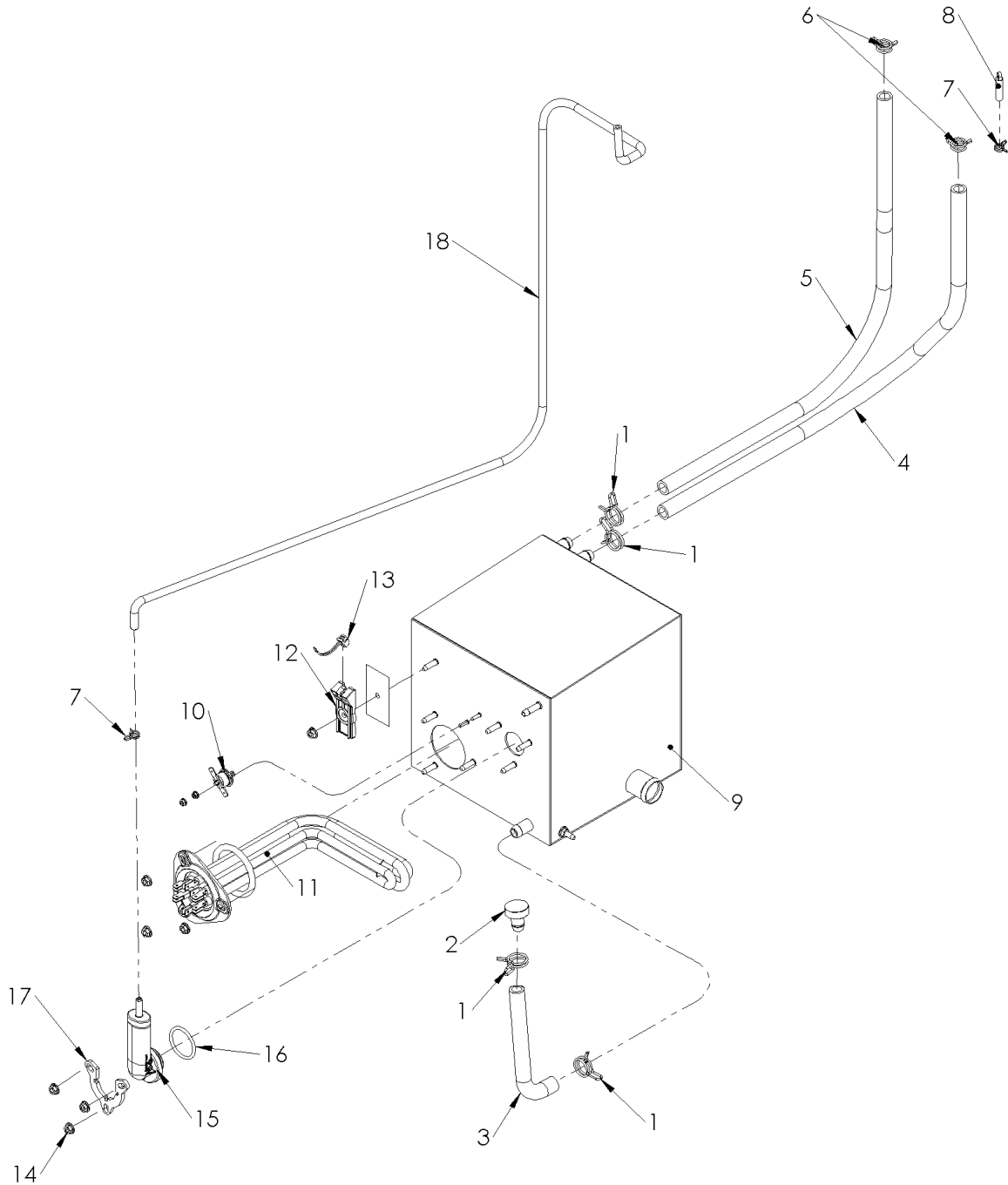


90001659-D

7. Fill System – C400 – BOM

Item	Description	Part number	QTY.	Note
1	Spring clip - Ø17.3mmx1.8		2	
2	Spring clip - Ø14mmx1.5		1	
3	Sales Kit - Air Break [STD]	30019019	1	Includes seal and nut
4	Solenoid to air gap hose	30011747	1	
5	Hose Breather 400mm	30017970	1	
6	Sales Kit - Solenoid Valve [4 Ltr /min]	30019018	1	Includes fixings
7	J Clip (20-32) W2-12mm with Posi Drive		1	
8	Rinse Inlet Hose 400mm	30017982	1	
9	MACRO-MODULE PLUG5, 2-POLE	3112091	1	
10	Sales Kit - Solenoid Valve [4 L /min] AU / NZ	30019015	1	Includes fixings
11	Sales Kit - Boiler Assembly [C400 (STD)]	30022867	1	
12	Suppressor - Kit	60004356	1	

8. Boiler Assembly – Spares (30022867)

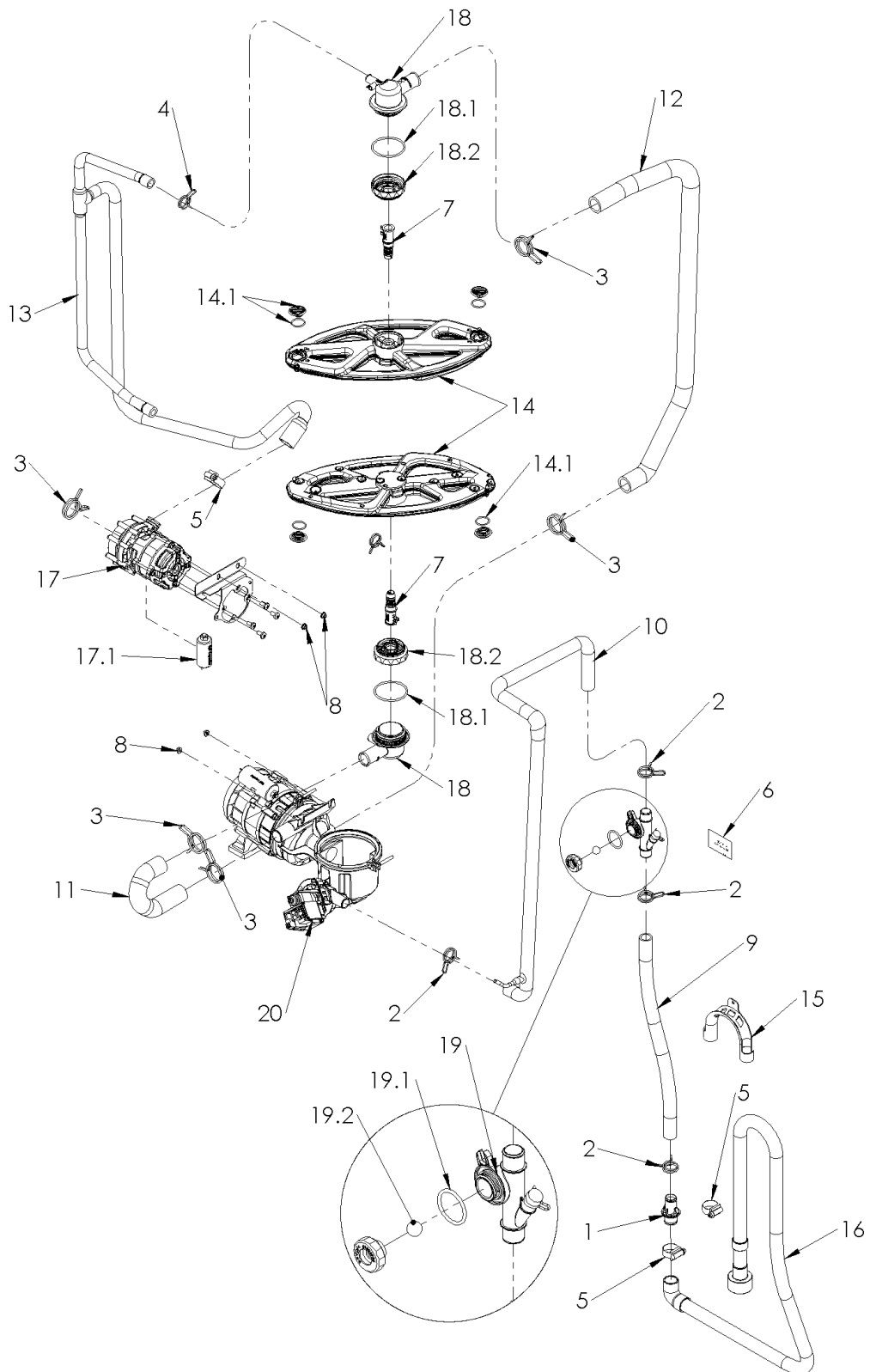


30022867-A

8. Boiler Assembly – Spares – BOM

Item	Description	Part number	QTY.	Note
1	Spring clip - Ø17.3mmx1.8		4	
2	Tube plug	70007962	1	
3	Hose - Boiler Drain - 400mm	30017967	1	
4	Hose - 400 STD	30022827	1	
5	Hose - 400 STD	30022827	1	
6	Spring clip - Ø12.8mm to Ø15mm		2	
7	Spring clip - Ø8.8mm to Ø9.3mm		2	
8	Port blank [5mm]	30001832	1	
9	Rinse Boiler - 6.5Ltr		1	Not available as a spare
10	Sales Kit - 95°C thermal cut-out	30019020	1	Includes fixings
11	Sales Kit - 6kW Heating Element	30019021	1	Includes fixings & seal
12	Sales Kit - Thermo sensor	30002179	1	
13	KIT MACRO-MODULE PLUG SIZE 2,5 2-POLE	30000197	1	
14	M5 Flange nut (DIN 6923)		4	Available with Fastener Kit
15	Air pressure vessel assembly	60004730	1	
16	O-ring - Ø30mmx3mm	30012629	1	
17	Bracket - APS Rinse	30022481	1	
18	Hose - APS Rinse	30022793	1	

9. Wash, Rinse & Drain System – 400

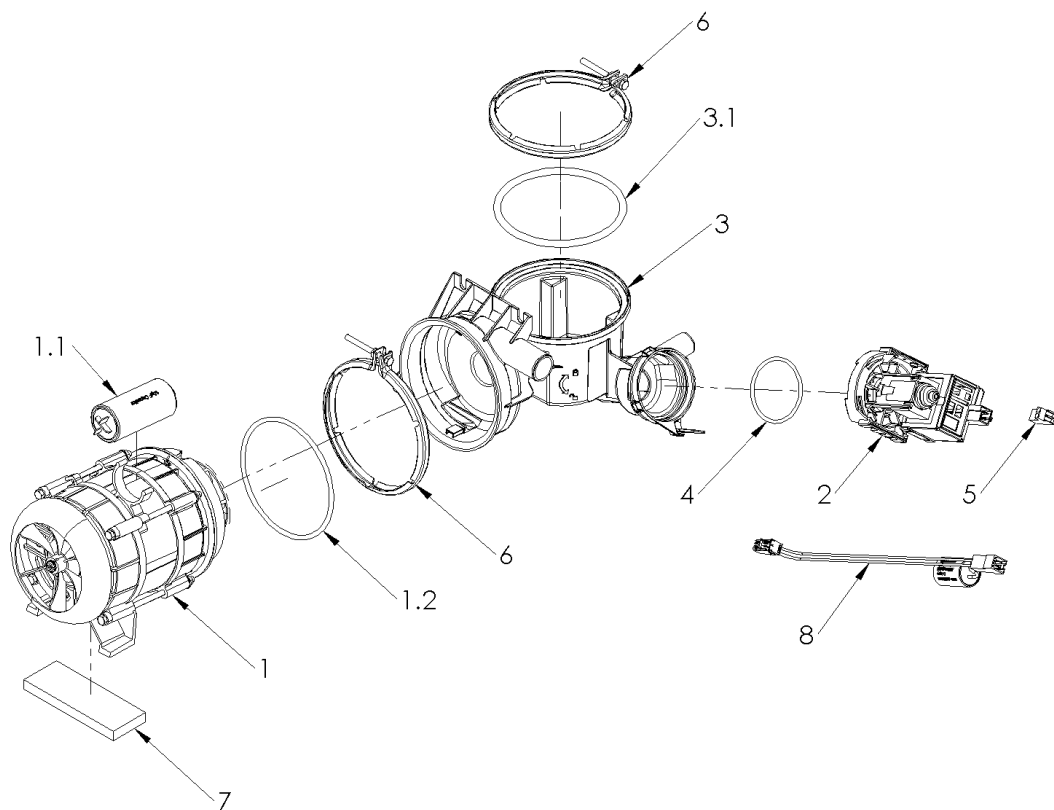


90001655-C

9. Wash, Rinse & Drain System – 400 – BOM

Item	Description	Part number	QTY.	Note
1	Drain Double Nipple	60004609	1	
2	Wire Hose Clip (D24.2 x 2.2)	2802358	4	
3	Spring Clip D32,7 X 2,8	2802362	5	
4	Spring Clip D21,2 X 2,0	2802355	2	
5	J Clip (20-32) W2-12mm with Posi Drive	30018878	1	
6	Drain height sticker		1	
7	Wash field Spindle	60003169	2	
8	M5 Flange nut (DIN 6923)		4	Available with Fastener Kit
9	Drain Outlet Antisyphon 400mm	30017984	1	
10	Hose - Drain Outlet - 400mm	30017976	1	
11	Hose - Wash Outlet bottom - 400mm	30017965	1	
12	Hose - Wash outlet Top - 400mm	30017964	1	
13	Hose - Rinse Outlet - 400mm	30017963	1	
14	Wash & Rinse Arm - 400	62004402	2	
15	Hook for drain hose	30006231	1	
16	Drain Hose 2M	60003759	1	
17	Rinse Pump Assembly 50hz	30018085	1	
17.1	4 μ F Capacitor	30011584	1	Includes washer & nut
18	STD Centre Boss Assembly	30017896	1	
18.1	O-Ring [56 X 3,0]	30014174	1	
18.2	Locking Nut - Centre Boss	60004870	1	
19	Sales Kit - Drain anti-syphon assembly	30019002	1	
19.1	O-ring - Ø30mmx3mm	30012629	1	
19.2	Drain Air break Ball	2801508	1	
20	Sump Assembly		1	Further part breakdown of assembly available in Manual

10. Sump Assembly

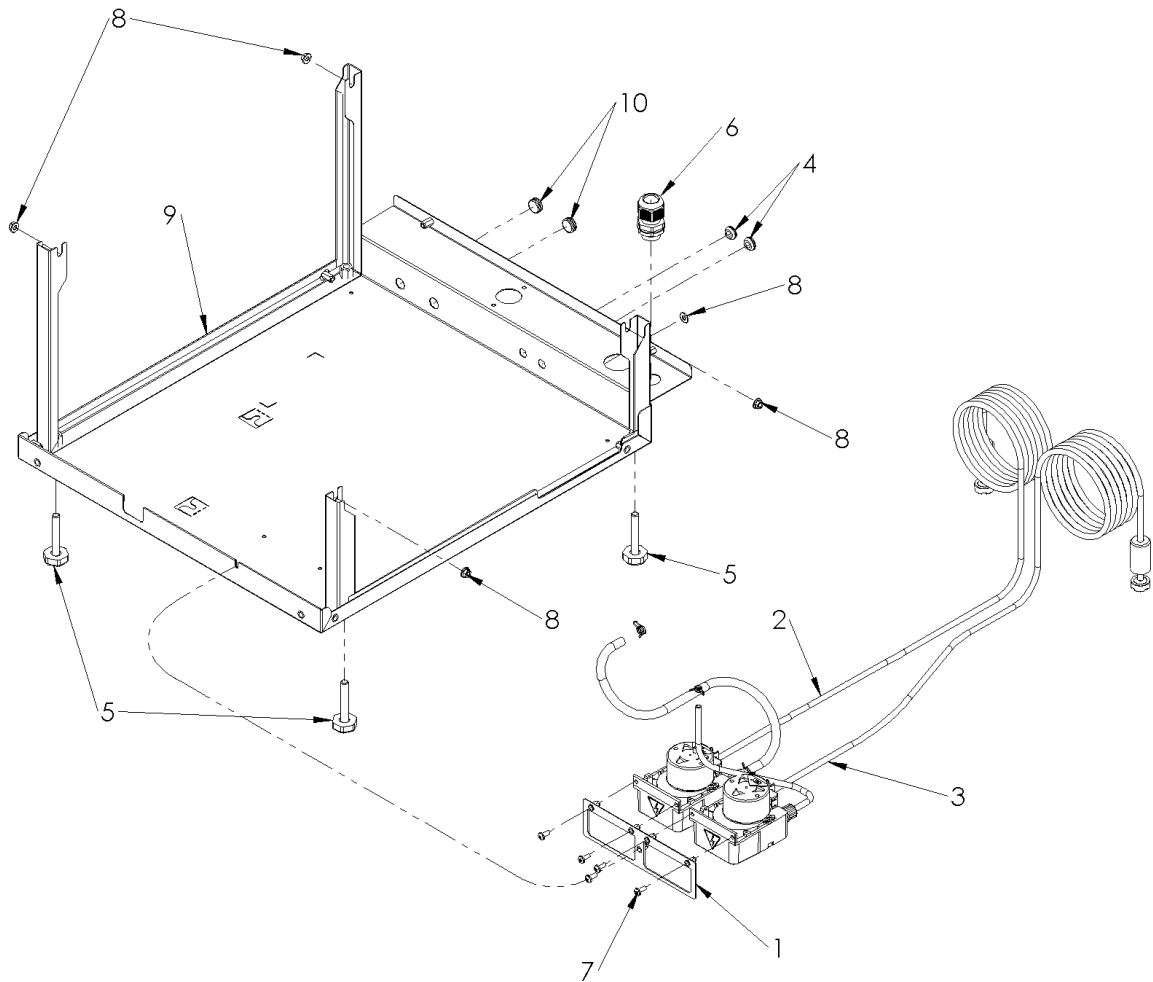


90001787-E

10. Sump Assembly – BOM

Item	Description	Part number	QTY.	Note
1	Sales Kit - Wash Pump [50Hz]	30019153	1	
1.1	10 μ F Capacitor	30002509	1	Includes washer & nut
1.2	O-ring 105 x4	30018094	1	
2	Drain Pump 50hz	30018090	1	
3	Sump kit	30018803	1	
3.1	O-ring 104 x6 EPDM60	30018095	1	
4	Drain pump O-RING	30018814	1	
5	MACRO-MODULE PLUG5, 2-POLE	3112091	1	
6	Sales Kit - V Band	30019022	2	Includes fixings
7	Foam Pad - Wash Pump	30018911	1	
8	Suppressor - Kit	60004356	1	

11. Base Assembly – 400

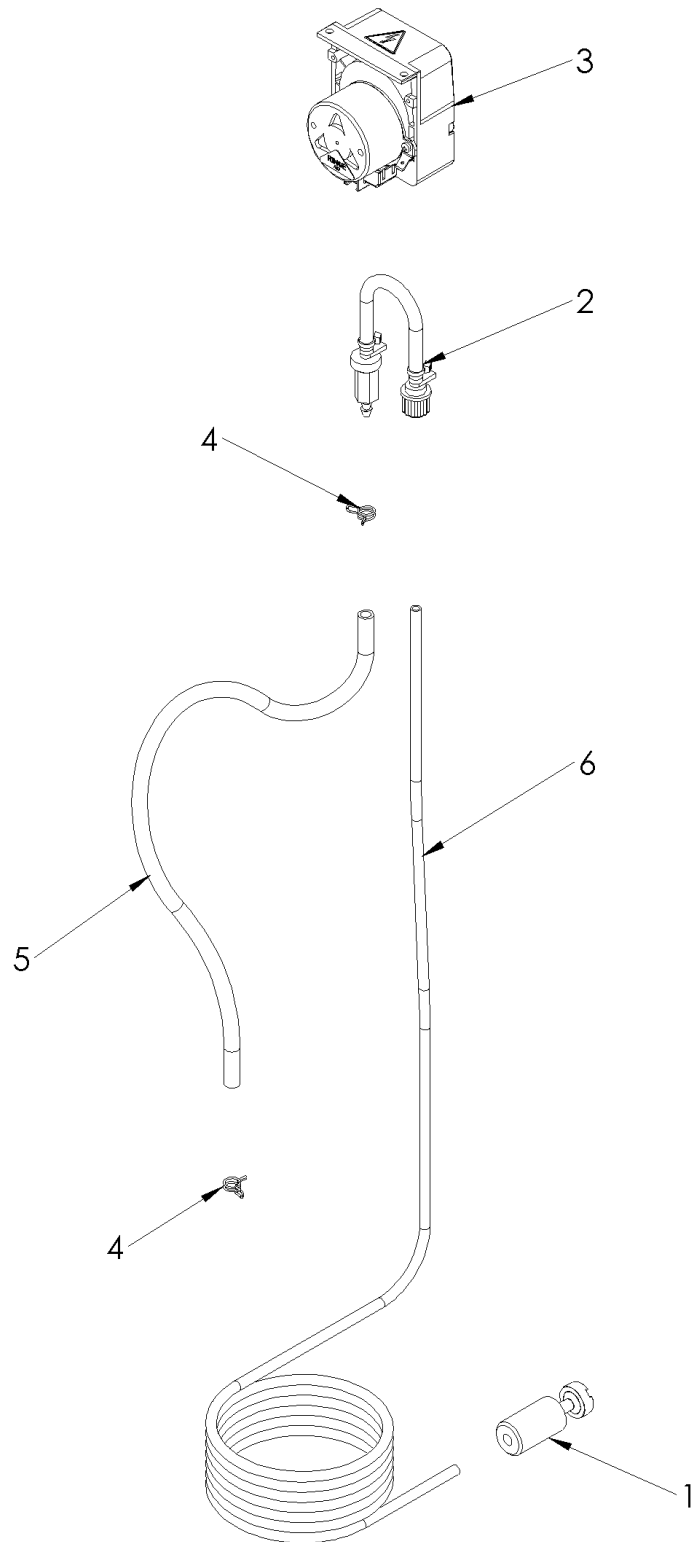


90001654-B

11. Base Assembly – 400 – BOM

Item	Description	Part number	QTY.	Note
1	Chemical Pump Bracket	30018046	1	
2	Rinse Aid Pump Assembly	30018088	1	
3	Detergent Pump Assembly	30018087	1	
4	Chemical tube grommet	30002141	1	
5	Adjustable Foot	62003652	1	
6	M20 Cable gland	30001815	1	
7	M4 x 10mm Posi pan head screw		2	Available with Fastener Kit
8	M5 Flange nut (DIN 6923)		4	Available with Fastener Kit
9	UC 400 base assembly		1	Not available as a spare
10	Blanking Grommet (12.5mm)	30019184	2	

12. Rinse Aid Pump (30018088)

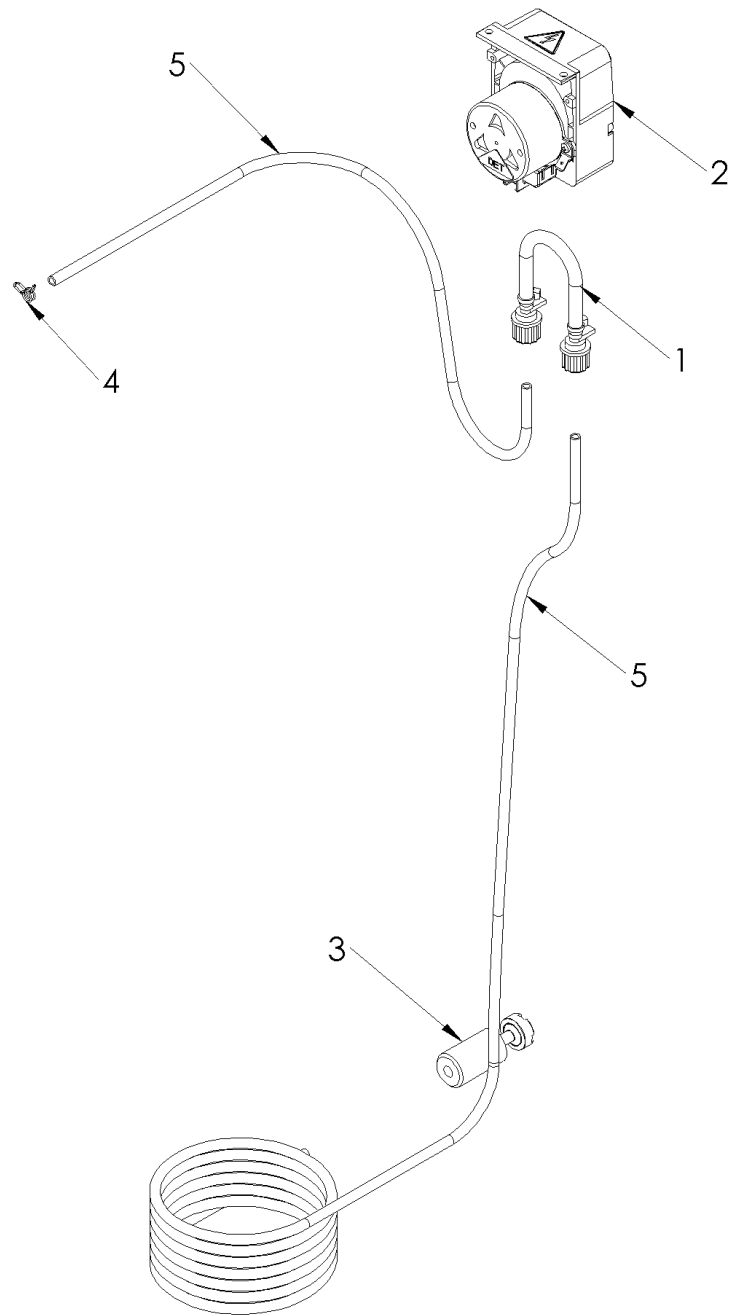


30018088-B

12. Rinse Aid Pump – BOM

Item	Description	Part number	QTY.	Note
1	Bottle weight kit	30012370	1	
2	Rinse aid peristaltic tube assembly	30012415	1	
3	Rinse Aid Housing		1	
4	Spring clip - Ø8.8mm to Ø9.3mm	30011994	2	
5	Rinse aid outlet tube	30012414	1	
6	Rinse aid inlet tube	30008385	1	

13. Detergent Pump (30018087)

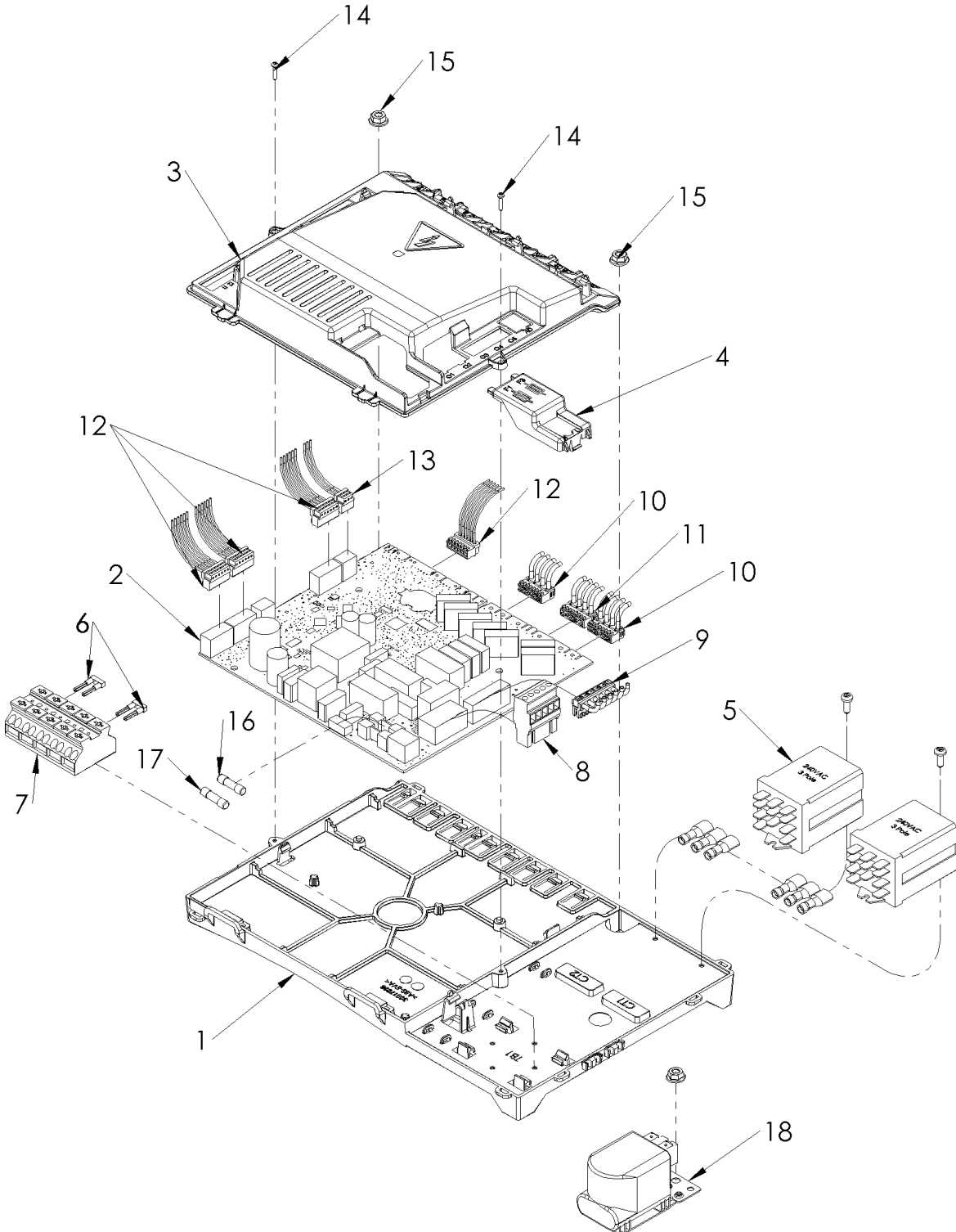


30018087 - B

13. Detergent Pump – BOM

Item	Description	Part number	QTY.	Note
1	DET Internl tube Asembly	30018812	1	
2	Det Pump Housing		1	
3	Bottle weight kit	30012370	1	
4	Spring clip - Ø6.6mm to Ø7mm	30011995	1	
5	Detergent inlet tube	30008386	1	

14. Control Assembly

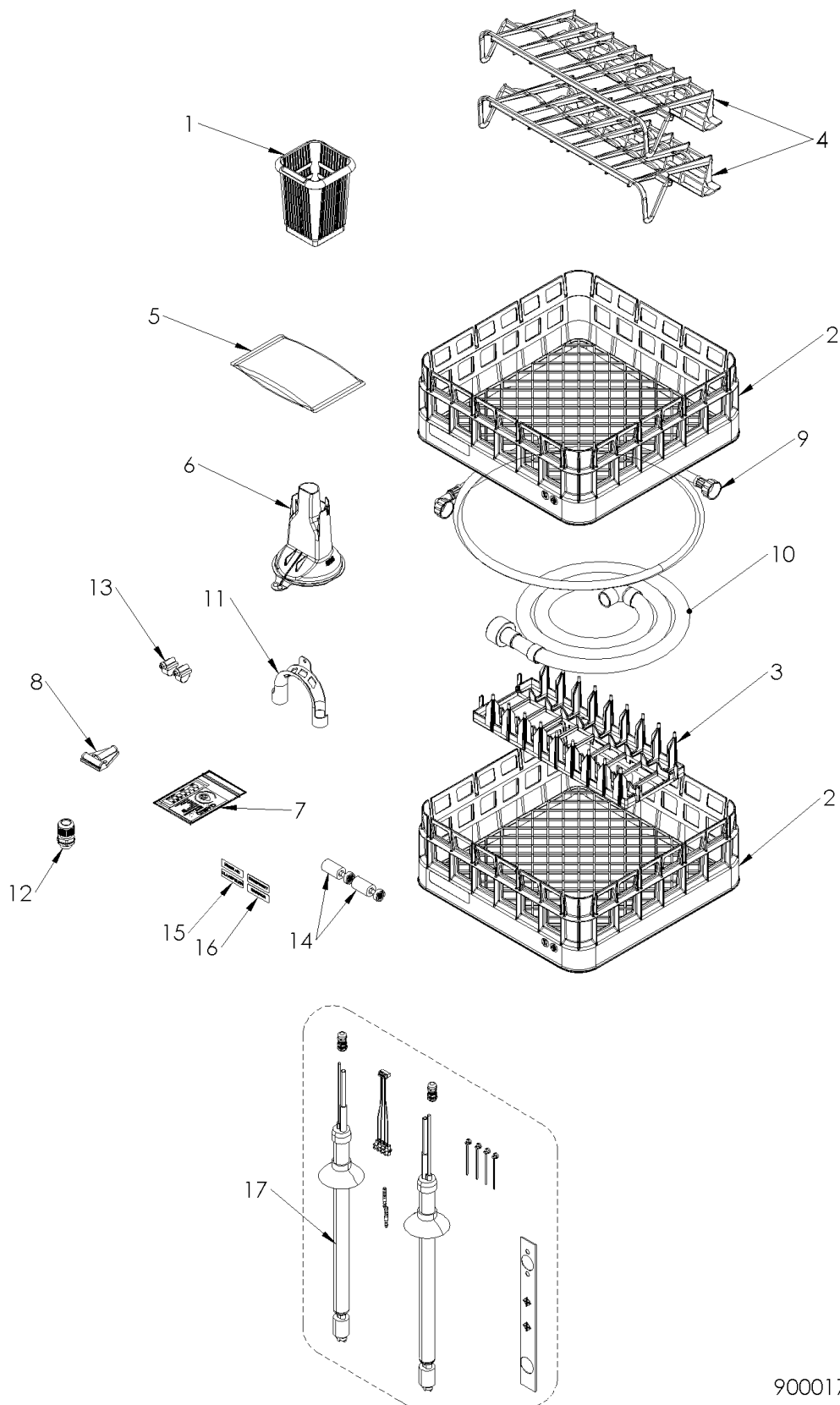


90001614-C

14. Control Assembly – BOM

Item	Description	Part number	QTY.	Note
1	PCB Enclosure - Base	30017898	1	
2	Control Board (Rest of the World)	30018818	1	
2	Control Board (AU)	30022422	1	For Australia / New Zealand
3	PCB Enclosure - Cover	30017900	1	
4	PCB Enclosure - Fuse Cover	30017899	1	
5	Sales Kit - 3 Pole Relay	30019024	2	Includes fixings
6	WAGO 5 pole jumping bar	30008142	1	Refer to wiring diagram for quantity
7	Terminal Block - 5 Pole - Grip Type	30001146	1	30A and 3 phase machines
8	Marco Module Plug5, 5Pole	30002002	1	
9	Module Plug (Size 5,0 / 6Pole)	30014140	1	
10	Module Plug (Size 5,0 / 4Pole) Type B	30014138	1	
11	Module Plug (Size 5,0 / 4Pole) Type A	30014137	1	
12	KIT MACRO-MODULE PLUG SIZE 2,5 6-POLE	30002484	1	
13	KIT MACRO-MODULE PLUG SIZE 2,5 3-POLE	30000198	1	
14	2.5x10mm PT screw	30011824	2	Available with Fastener Kit
15	M5 Flange nut (DIN 6923)		2	Available with Fastener Kit
16	Fuse 16A	30018557	1	
17	Fuse 2.5A	30018556	1	
18	Sales Kit - Mains Filter	30019023	1	Includes fixings

15. Accessories – 400



90001789-B

15. Accessories – 400 – BOM

Item	Description	Part number	QTY.	Note
1	CBS Cutlery holder	30001167	1	
2	400mm Plastic basket - cup/glass	30001165	2	
3	Plate Insert PI 400	30007213	1	
4	Glass Insert GR 400	30018552	2	
5	25Kg Salt Granular	2005166	1	
6	UC_Salt Funnel	30017897	1	For Unit with Inbuilt Water softener only
7	Water Testing Kit - Total Hardness	20006948	1	
8	Installation kit- Spirit level	30015135	1	
9	Water supply hose	30001162	1	
10	Drain Hose 2M	60003759	1	
11	Hook for drain hose	30006231	1	
12	M20 Cable gland	30001815	1	
13	J Clip (20-32) W2-12mm with Posi Drive	30018878	2	
14	Bottle weight kit	30012370	2	
15	Rinse Aid Sticker (English/German)		1	Not available as a spare
16	Detergent Sticker (English/German)		1	Not available as a spare
17	Sales Kit - Chemical Lances	30018975	1	
18	350x350 basket adapter frame	30018999	1	For Australia / New Zealand (Not Shown)

16. Mains Cables

Item	Description	Part number	QTY.	Note
1	Sales Kit – 13A mains cable - [UK]	30003306	1	
2	Sales Kit – 15A mains cable - [AU]	30012774	1	
3	Sales Kit – 16A mains cable - [EU]	30012775	1	
4	Sales Kit – 30A mains cable - [3G4] - UC	30012385	1	
5	Sales Kit – 3 Phase mains cable - [5G2.5]	30014548	1	
6	Sales Kit – 3 Phase mains cable - [4G2.5]	30014550	1	

17. Fastener Kit (30018806)

Item	Description	Part number	QTY.	Note
1	M5 Thin Nylock nut (ISO 10511)		5	Available with Fastener Kit
2	M3 Thin Nylock nut (ISO 10511)		5	Available with Fastener Kit
3	M3x8 Pozi Pan screw A4		5	Available with Fastener Kit
4	M6x20 pozi CSK Screw A4		4	Available with Fastener Kit
5	M6x12 pozi pan screw A4		4	Available with Fastener Kit
6	M4 x 10mm Posi pan head screw		15	Available with Fastener Kit
7	M4 Nylock nut (ISO 7040)		5	Available with Fastener Kit
8	M12 Thin nut		2	Available with Fastener Kit
9	M5 Flange nut (DIN 6923)		25	Available with Fastener Kit
10	M3 Flange nut (DIN 6923)		5	Available with Fastener Kit
11	M5 x 50 hex head screw (ISO 4017)		4	Available with Fastener Kit
12	2.5x10mm PT screw		5	Available with Fastener Kit
13	3.5x10mm posi pan head PT screw		5	Available with Fastener Kit
14	M5 x10mm Posi Head Screw		15	Available with Fastener Kit

18. 60Hz Pump Variants

Item	Description	Part number	QTY.	Note
1	Wash Pump Assembly 60hz	30018136	1	
2	Rinse pump Assembly 60hz	30018596	1	
3	Drain Pump - 60Hz	30018600	1	