



Spares manual

C400 WS

90001708

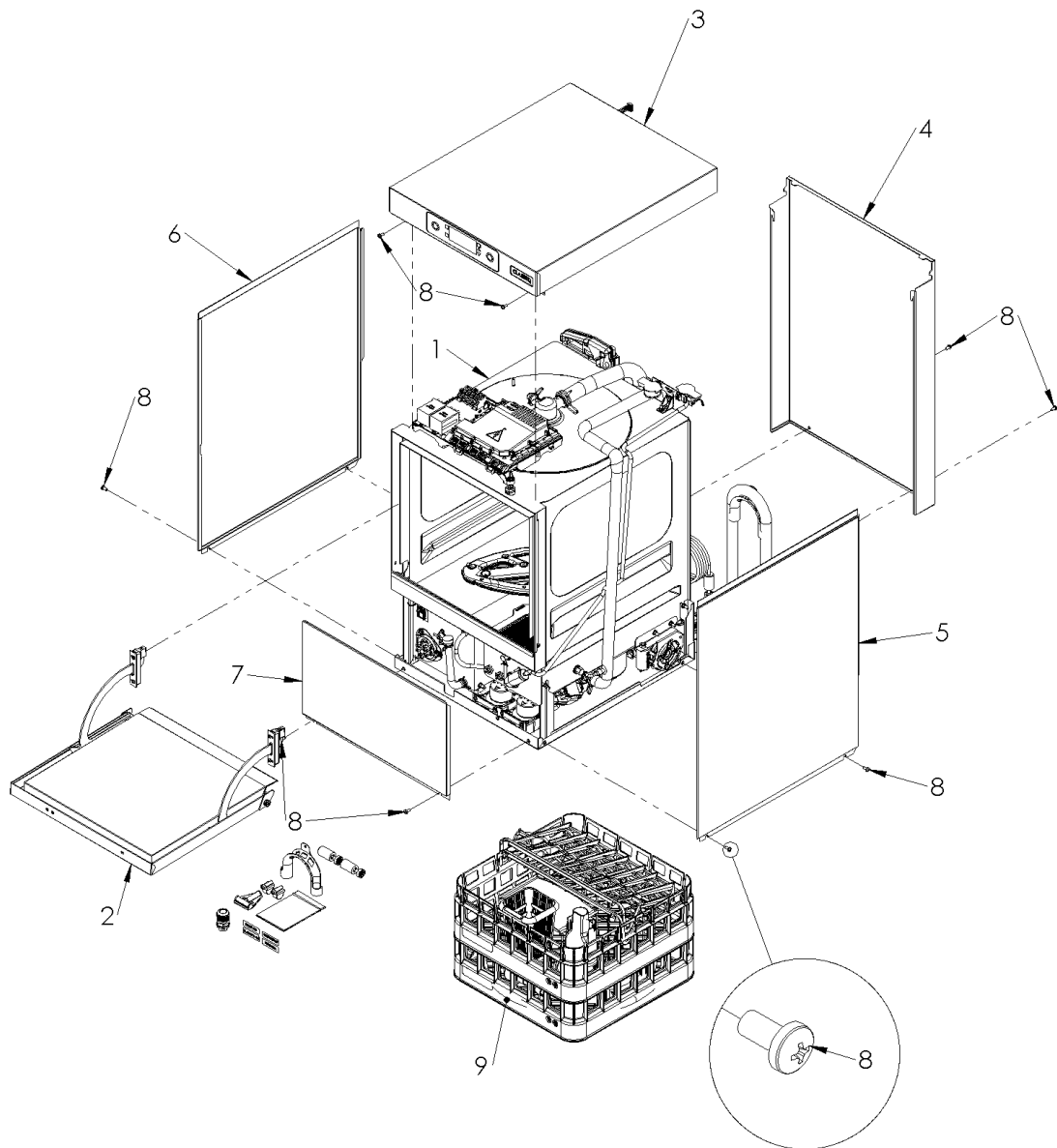
Revision: E

05/11/2025

Table of contents for C400 WS

C400 WS	1
1. Machine assembly	4
2. Top panel assembly (30018807)	6
3. Door Parts Assembly	8
4. Frame Assembly	10
5. Cabinet Parts Assembly	12
6. Filtration	14
7. Fill System	16
8. Water Softener Unit (83000420)	18
9. Boiler Assembly (30022877)	20
10. Wash Rinse & Drain System	22
11. Minisump Assembly	24
12. Base assembly	26
13. Rinse Aid pump assembly (30018088)	28
14. Detergent pump assembly (30018087)	30
15. Control Assembly	32
16. UC Accessories	34
17. Mains cable	36
18. Fastener Kit (30018806)	36
19. 60hz Variant	36

1. Machine assembly

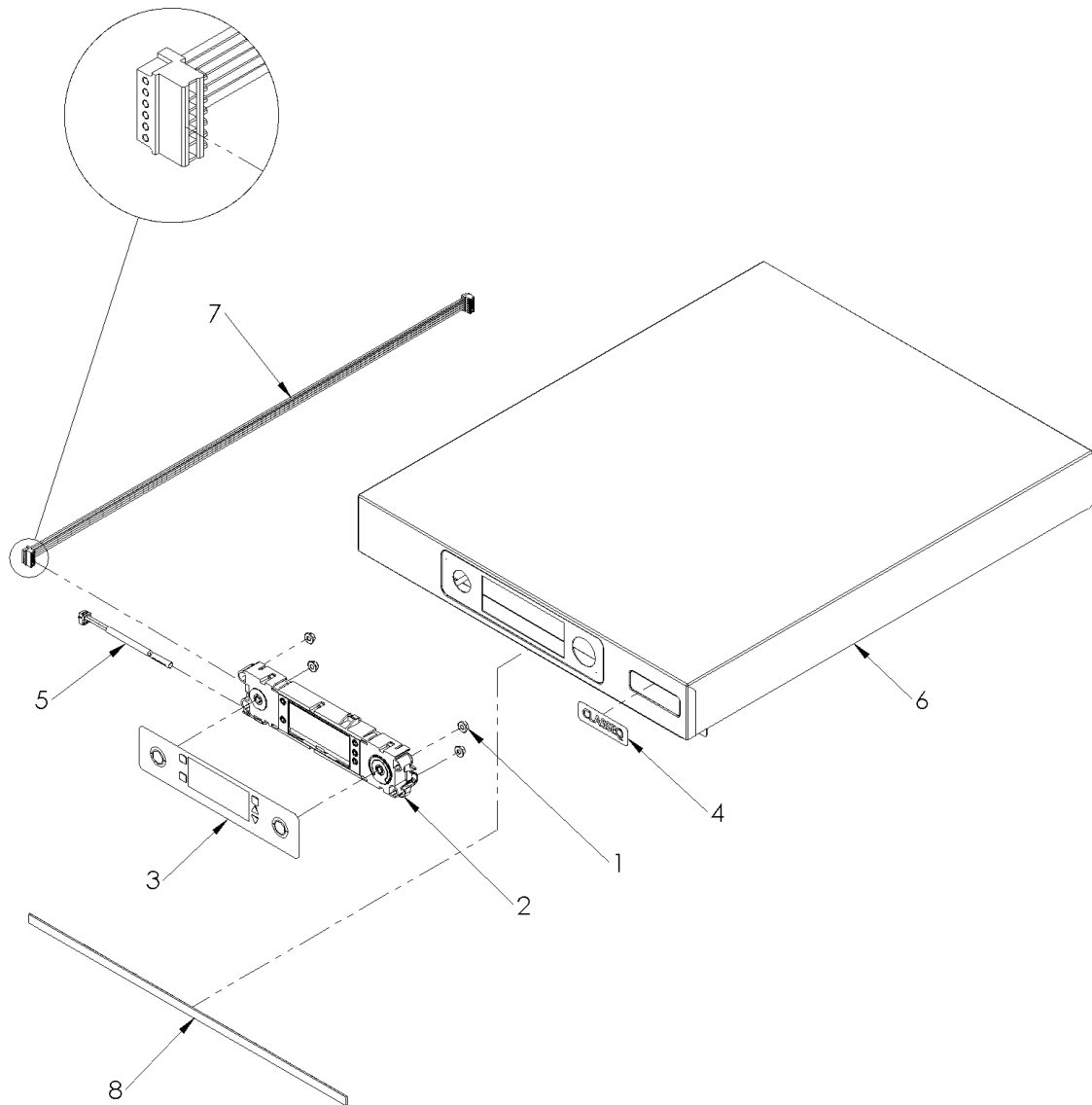


90001648-A

1. Machine assembly - BOM

Item	Description	Part number	QTY.	Note
1	Frame Assembly WS		1	Further Part breakdown of assembly available in Manual
2	Door Parts Assembly		1	Further Part breakdown of assembly available in Manual
3	400mm Top panel Assembly Spares	30018807	1	
4	Rear Panel 400mm	30018051	1	
5	Side Panel Right 400mm	30018052	1	
6	Side Panel Left 400mm	30018053	1	
7	Front Panel 400mm	30018054	1	
8	M5 x10mm Posi Head Screw		10	Available with Fastener Kit
9	UC Accessories		1	Further Part breakdown of assembly available in Manual

2. Top panel assembly (30018807)

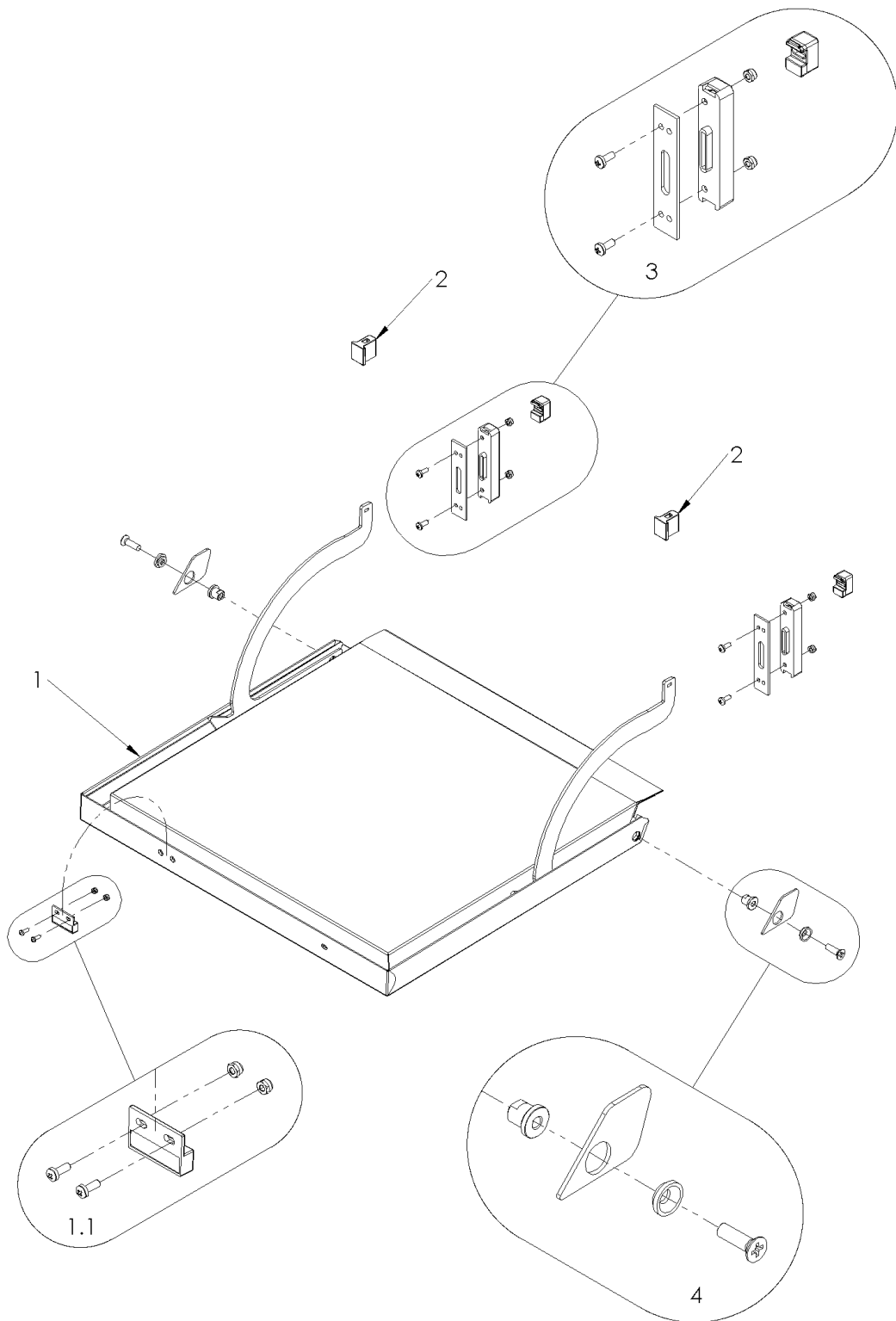


30018807-A

2. Top Panel assembly – BOM

Item	Description	Part number	QTY.	Note
1	M5 Flange nut (DIN 6923)		4	Available with Fastener Kit
2	Display Unit (Programmed)	30018917	1	
3	Fascia	30018124	1	
4	CLASSEQ badge	30018290	1	
5	Door switch	30018123	1	
6	Top Panel 400mm		1	
7	UI Harness	30017998	1	
8	400mm Foam seal	30011635	1	

3. Door Parts Assembly

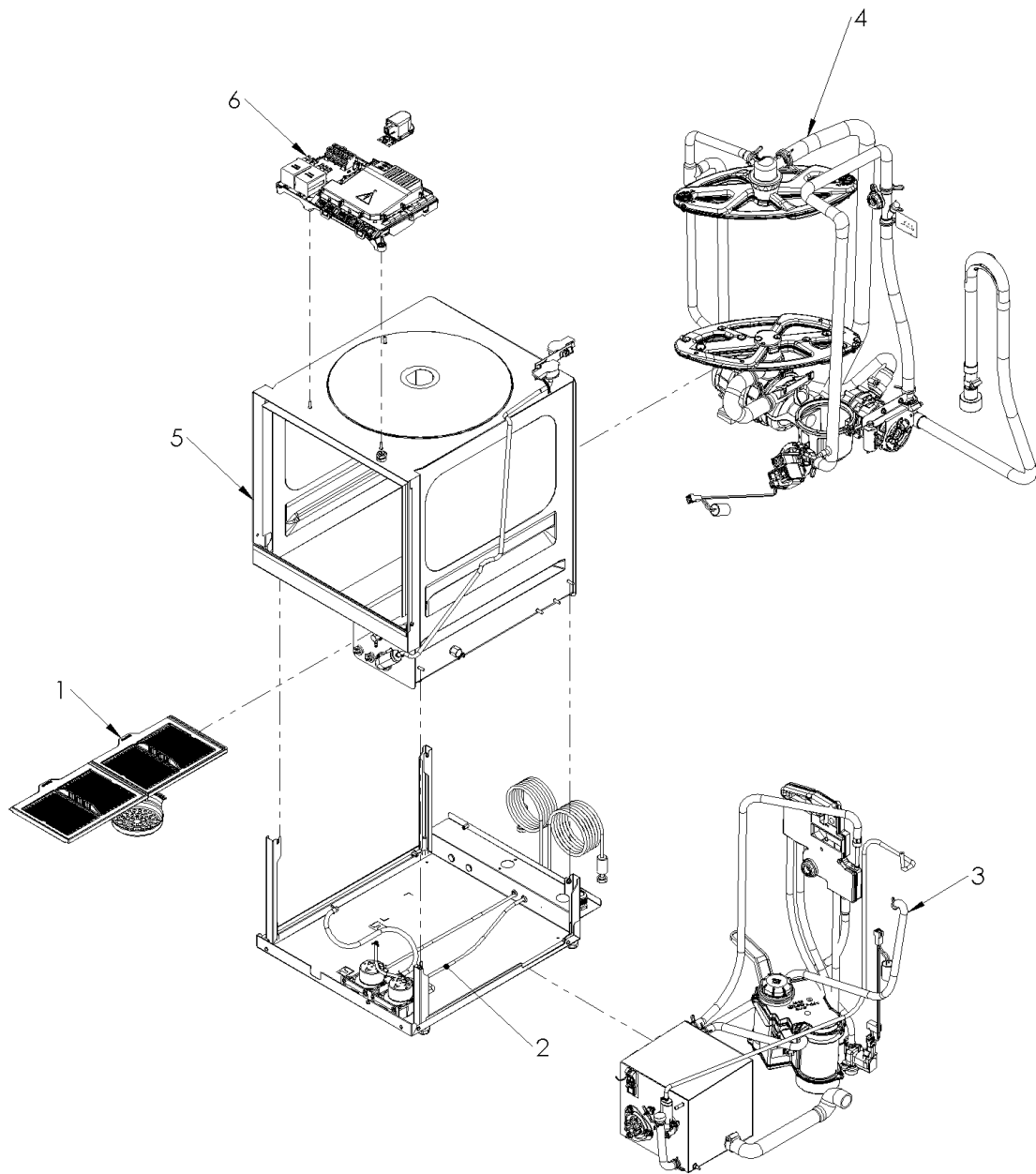


90001651-C

3. Door Parts Assembly – BOM

Item	Description	Part number	QTY.	Note
1	400mm Door Assembly Spares	30018808	1	
1.1	Sales Kit - Magnet [UC]	30022863	1	Includes fixings
2	Door Hinge cap	30018098	2	
3	Sales Kit - Hinge Guide	30018801	2	Includes fixings
4	Sales Kit - Hinge Pivot with boss	30019013	2	Includes fixings

4. Frame Assembly



90001653-B

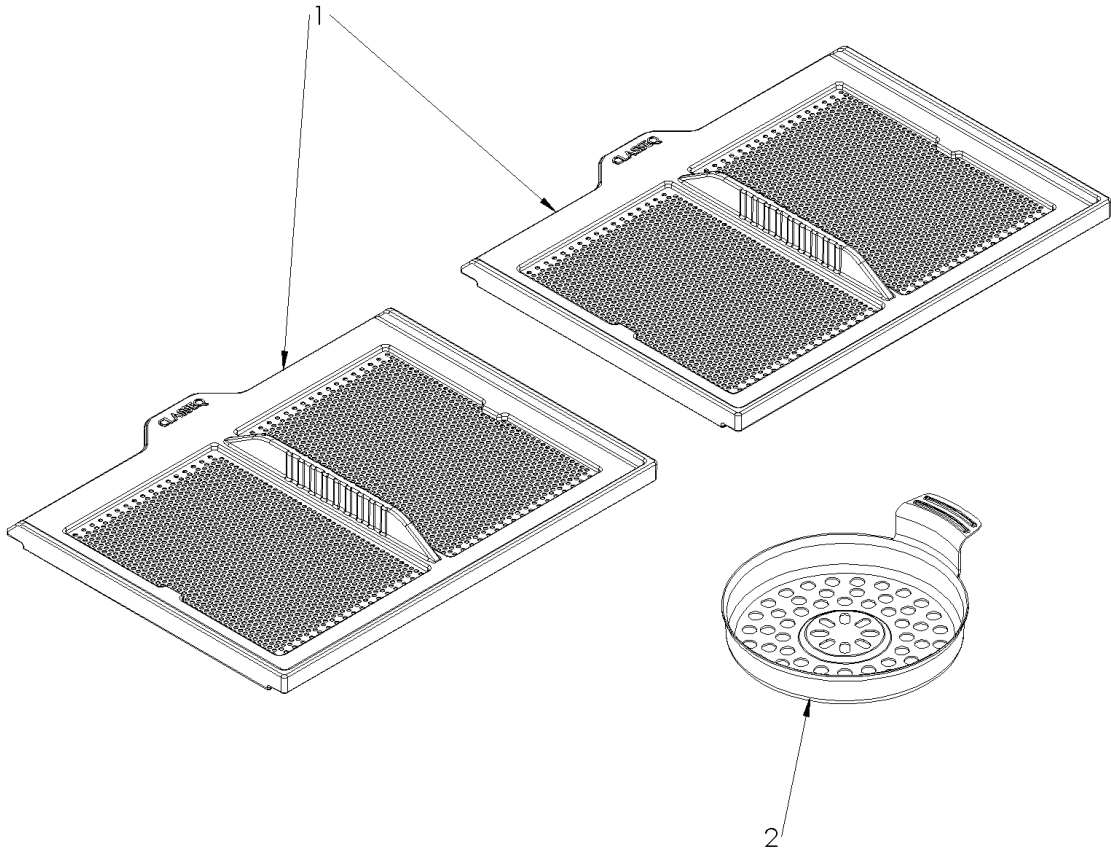
4. Frame Assembly – BOM

Item	Description	Part number	QTY.	Note
1	Filtration 400mm		1	Further Part breakdown of assembly available in Manual
2	Base Assembly 400mm		1	Further Part breakdown of assembly available in Manual
3	Fill System WS 400mm		1	Further Part breakdown of assembly available in Manual
4	Wash Rinse & Drain System 400mm		1	Further Part breakdown of assembly available in Manual
5	Cabinet Assembly WS 400mm		1	Further Part breakdown of assembly available in Manual
6	Control Assembly		1	Further Part breakdown of assembly available in Manual

5. Cabinet Parts Assembly – BOM

Item	Description	Part number	QTY.	Note
1	Cabinet WS 400mm		1	Not available as a spare
2	Kit air pressure chamber	60003525	1	
3	Sales Kit - Pressure Sensor	30019017	2	Includes fixings
4	Air Pressure Sensor - Plastic Mount	60004493	1	
5	Wash tube [APS] (400/500)	30014330	1	
6	Spring Clip - Ø7.8mm to Ø8.3mm		2	
7	Detergent inlet fitting	30011822	1	
8	Wash Element Retaining Bracket	30006126	1	
9	Wash Element 2kW	30018105	1	Includes 2x Washers & 2x M12 fine thread thin nut
10	Wash element fibre washer 19mmx3mm	30014272	2	
11	Sales Kit - 85°C thermal cut-out	30019016	1	Includes fixings
12	Sales Kit - Thermo sensor	30002179	1	
13	KIT MACRO-MODULE PLUG SIZE 2,5 2-POLE	30000197	1	
14	Ball catch - M12	30001064	1	
15	400mm Foam seal	30011635	1	
16	KIT MACRO-MODULE PLUG SIZE 2,5 3-POLE	30000198	2	
17	M12 Thin nut	30001070	1	
18	M5 Flange nut (DIN 6923)		2	Available with Fastener Kit
19	Spring clip - Ø8.8mm to Ø9.3mm		1	
20	Sales Kit - Recirculation Vent	30022825	1	Includes fixings & seal

6. Filtration

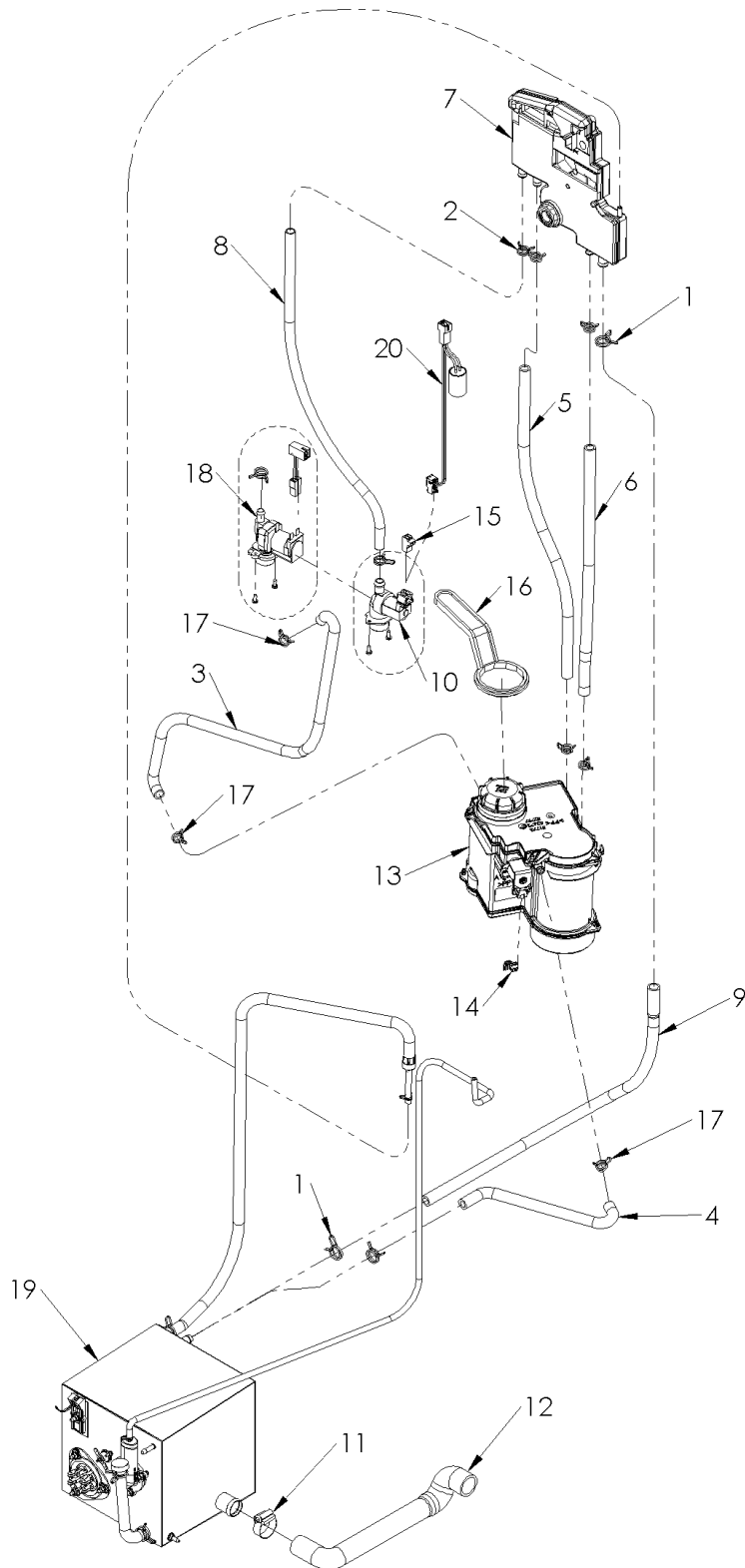


90001658-A

6. Filtration - BOM

Item	Description	Part number	QTY.	Note
1	Primary Filter 400mm	30017902	2	
2	Secondary Filter Stainless steel	30017864	1	

7. Fill System

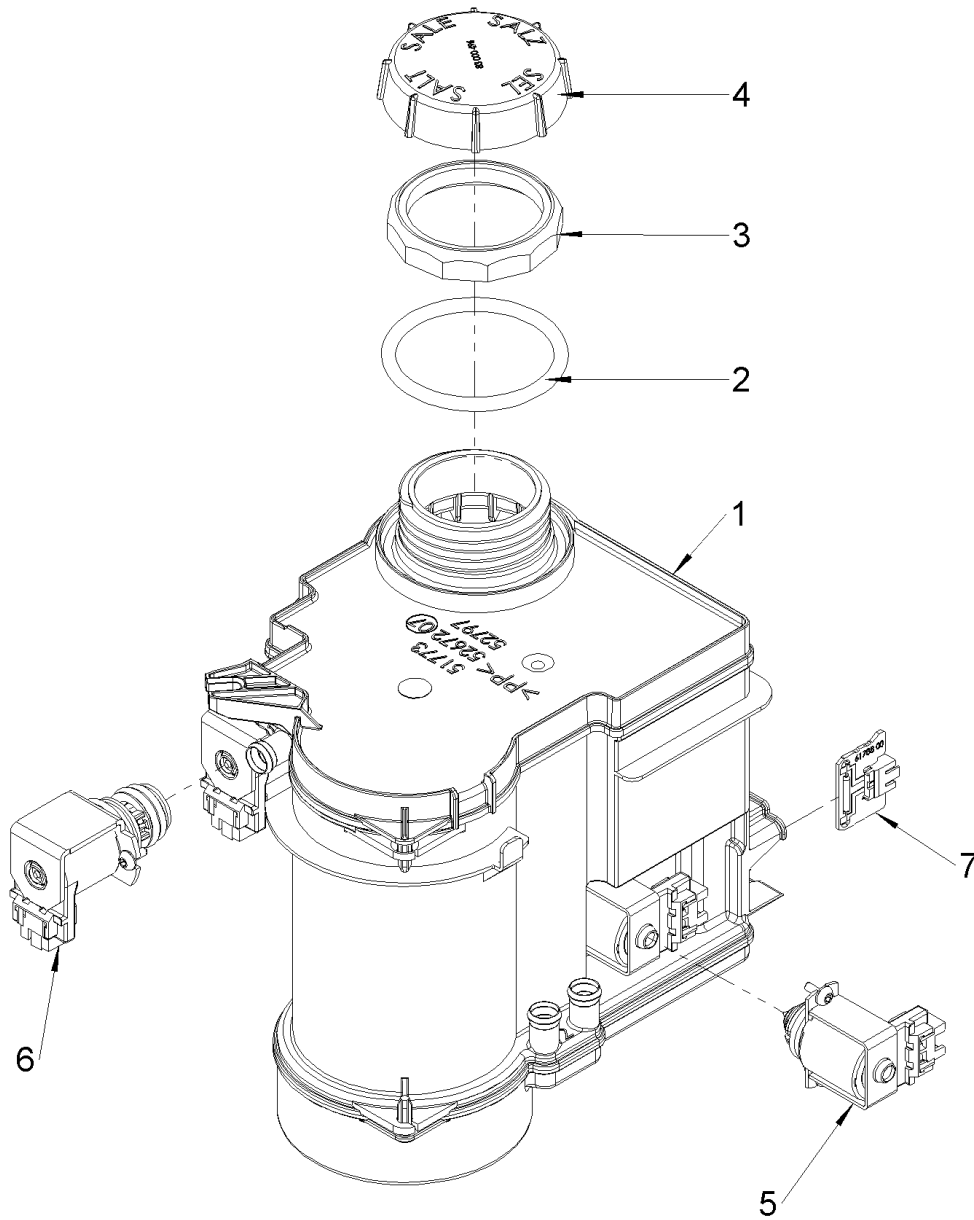


90001656-D

7. Fill System – BOM

Item	Description	Part number	QTY.	Note
1	Spring clip - Ø17.3mmx1.8		3	
2	Spring clip - Ø14mmx1.5		1	
3	Hose - Port 6 - 400mm	30017977	1	
4	Hose - Port 5 - 400mm	30017978	1	
5	Hose - Port 3 - 400mm		1	
6	Hose - Port 5 - 400mm		1	
7	Sales Kit - Air Break [WS]	30019025	1	Includes seal and nut
8	Solenoid to air gap hose	30011747	1	
9	Hose Breather 400mm		1	
10	Sales Kit - Solenoid Valve [4 Ltr /min]	30019018	1	Includes fixings
11	J Clip (20-32) W2-12mm with Posi Drive		1	
12	Rinse Inlet Hose 400mm	30017982	1	
13	Water softener kit	83000420	1	
14	KIT MACRO-MODULE PLUG SIZE 2,5 3-POLE	30000198	3	
15	MACRO-MODULE PLUG5, 2-POLE	3112091	1	
16	WS Nut Spanner	60003376	1	
17	Spring clip - Ø12.8mm to Ø15mm		7	
18	Sales Kit - Solenoid Valve [4 L /min] AU / NZ	30019015	1	Includes fixings
19	Sales Kit - Boiler Assembly [C400 (WS)]	30022877	1	
20	Suppressor - Kit	60004356	1	

8. Water Softener Unit (83000420)

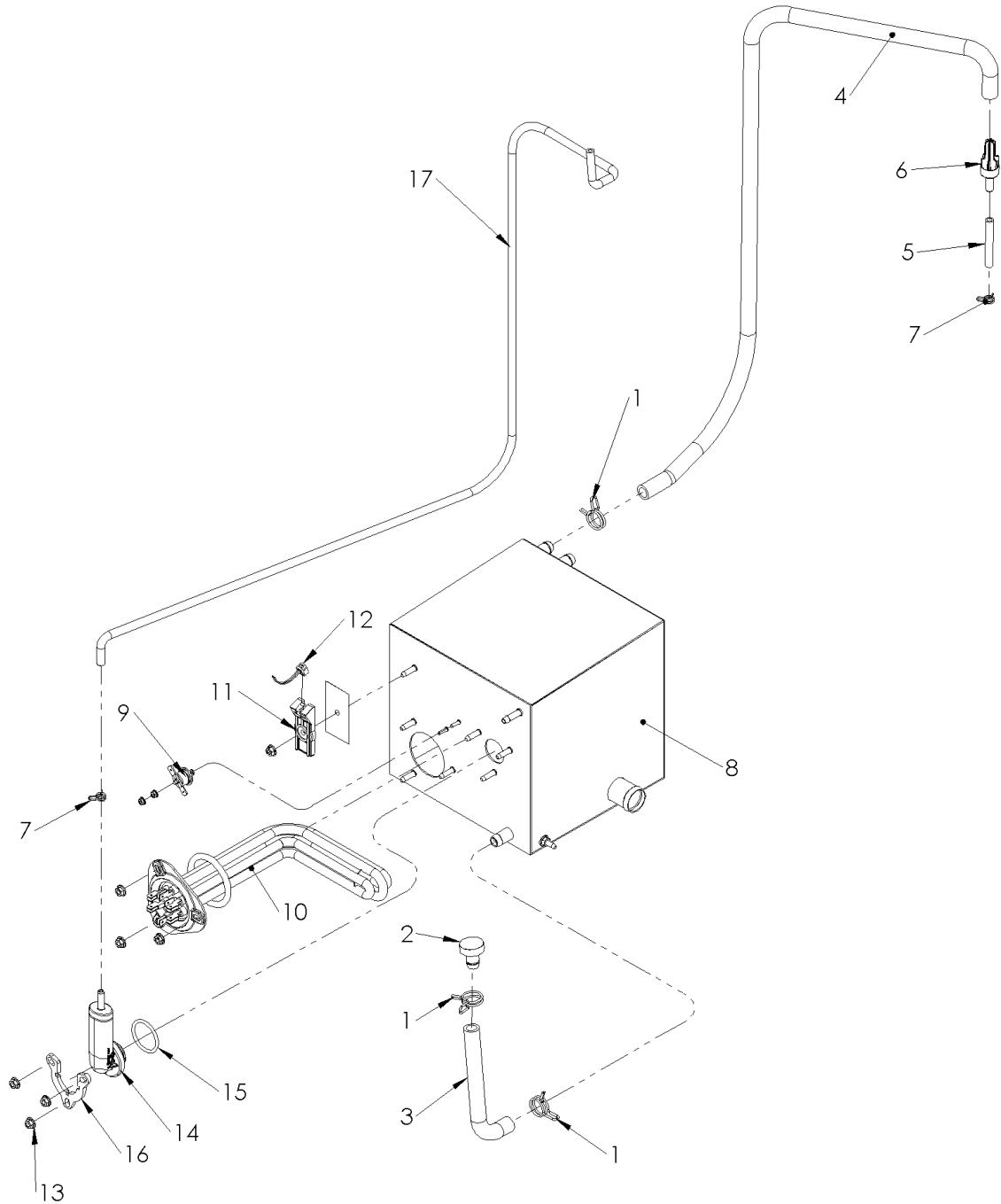


83000420-A

8. Water Softener Unit – BOM

Item	Description	Part number	QTY.	Note
1	Water softener 220-240V		1	
2	O-ring - Ø56 x Ø5	2707065	1	
3	LOCK NUT	60003001	1	
4	Salt reservoir cap	60004894	1	
5	Repair kit Regeneration valve	83000402	1	
6	Repair kit reversing valve	83000460	1	
7	Salt recognition reed contact	83000408	1	

9. Boiler Assembly (30022877)

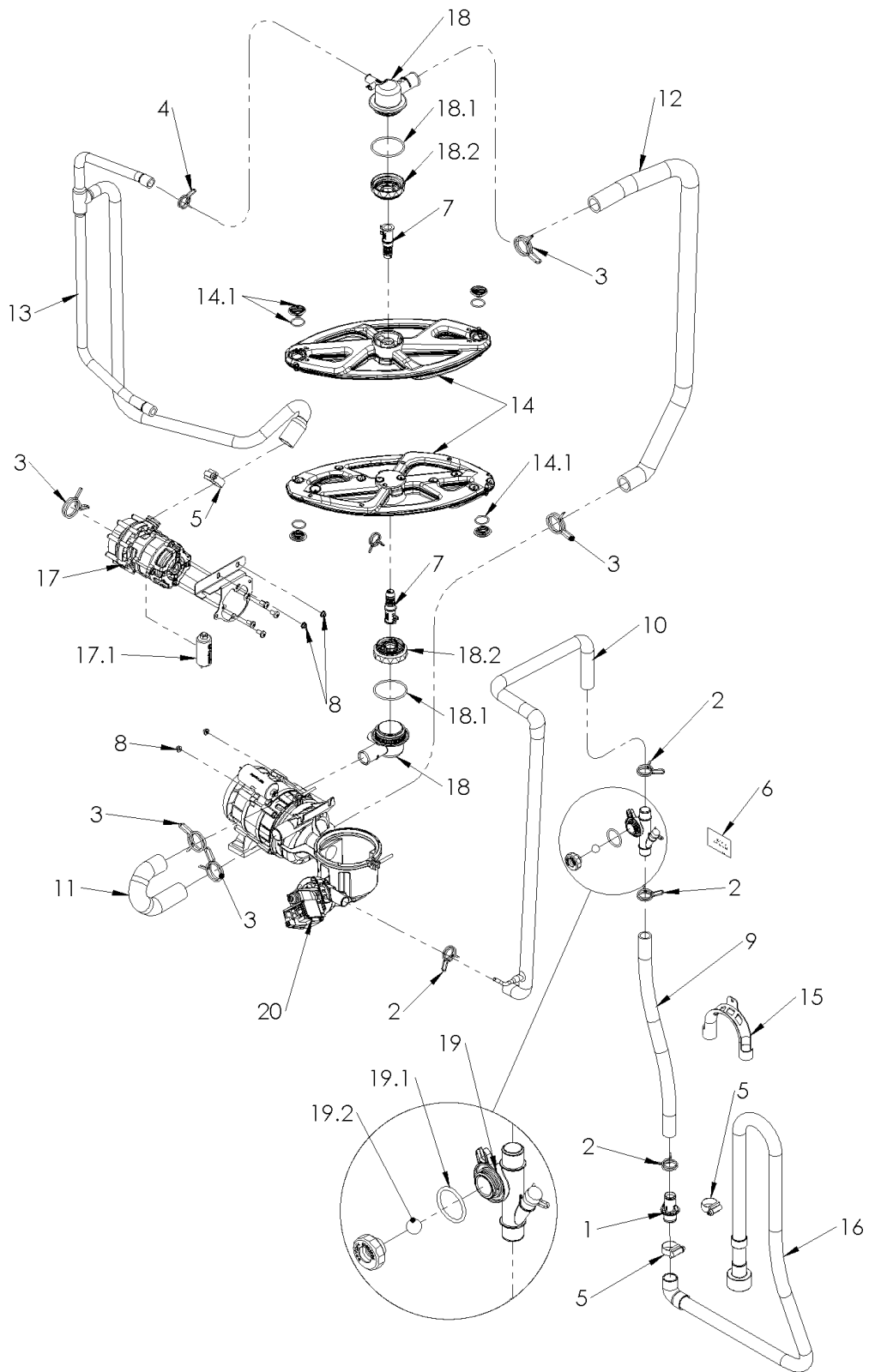


30022877-A

9. Boiler Assembly – BOM

Item	Description	Part number	QTY.	Note
1	Spring clip - Ø17.3mmx1.8		3	Available with Fastener Kit
2	Tube plug	70007962	1	
3	Hose - Boiler Drain - 400mm	30017967	1	
4	Hose - 400 breather	30022482	1	
5	Hose - Vent	30022484	1	
6	Vent - Pipe adapter (10mm - 6mm)	30022457	1	
7	Spring clip - Ø8.8mm to Ø9.3mm		2	Available with Fastener Kit
8	Rinse Boiler - 6.5Ltr		1	Not available as a spare
9	Sales Kit - 95°C thermal cut-out	30019020	1	Includes fixings
10	Sales Kit - 6kW Heating Element	30019021	1	Includes fixings & seal
11	Sales Kit - Thermo sensor	30002179	1	
12	KIT MACRO-MODULE PLUG SIZE 2,5 2-POLE	30000197	1	
13	M5 Flange nut (DIN 6923)		4	Available with Fastener Kit
14	Air pressure vessel assembly	60004730	1	
15	O-ring - Ø30mmx3mm	30012629	1	
16	Bracket - APS Rinse	30022481	1	
17	Hose - APS Rinse	30022793	1	

10. Wash Rinse & Drain System

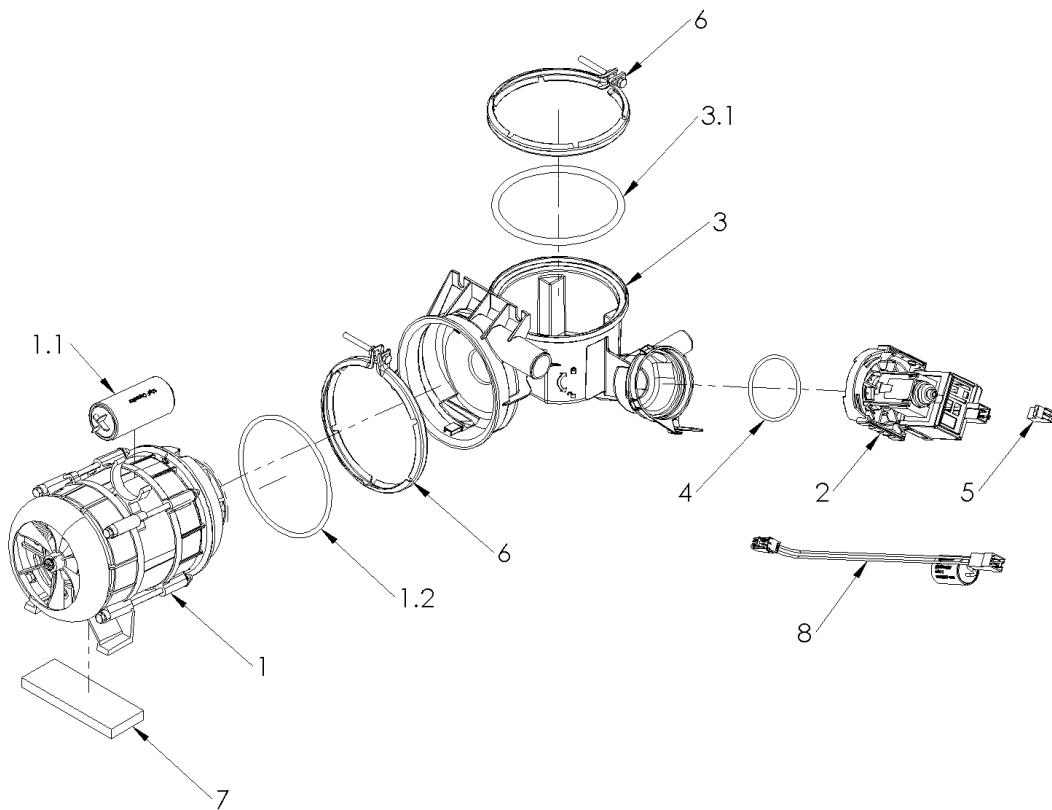


90001655-C

10. Wash Rinse & Drain System – BOM

Item	Description	Part number	QTY.	Note
1	Drain Double Nipple	60004609	1	
2	Wire Hose Clip (D24.2 x 2.2)	2802358	4	
3	Spring Clip D32,7 X 2,8	2802362	5	
4	Spring Clip D21,2 X 2,0	2802355	2	
5	J Clip (20-32) W2-12mm with Posi Drive	30018878	1	
6	Drain height sticker		1	
7	Wash field Spindle	60003169	2	
8	M5 Flange nut (DIN 6923)		4	Available with Fastener Kit
9	Drain Outlet Antisyphon 400mm	30017984	1	
10	Hose - Drain Outlet - 400mm	30017976	1	
11	Hose - Wash Outlet bottom - 400mm	30017965	1	
12	Hose - Wash outlet Top - 400mm	30017964	1	
13	Hose - Rinse Outlet - 400mm	30017963	1	
14	Wash & Rinse Arm - 400	62004402	2	
15	Hook for drain hose	30006231	1	
16	Drain Hose 2M	60003759	1	
17	Rinse Pump Assembly 50hz	30018085	1	
17.1	4µF Capacitor	30011584	1	Includes washer & nut
18	STD Centre Boss Assembly	30017896	1	
18.1	O-Ring [56 X 3,0]	30014174	1	
18.2	Locking Nut - Centre Boss	60004870	1	
19	Sales Kit - Drain anti-syphon assembly	30019002	1	
19.1	O-ring - Ø30mmx3mm	30012629	1	
19.2	Drain Air break Ball	2801508	1	
20	Sump Assembly		1	Further part breakdown of assembly available in Manual

11. Minisump Assembly

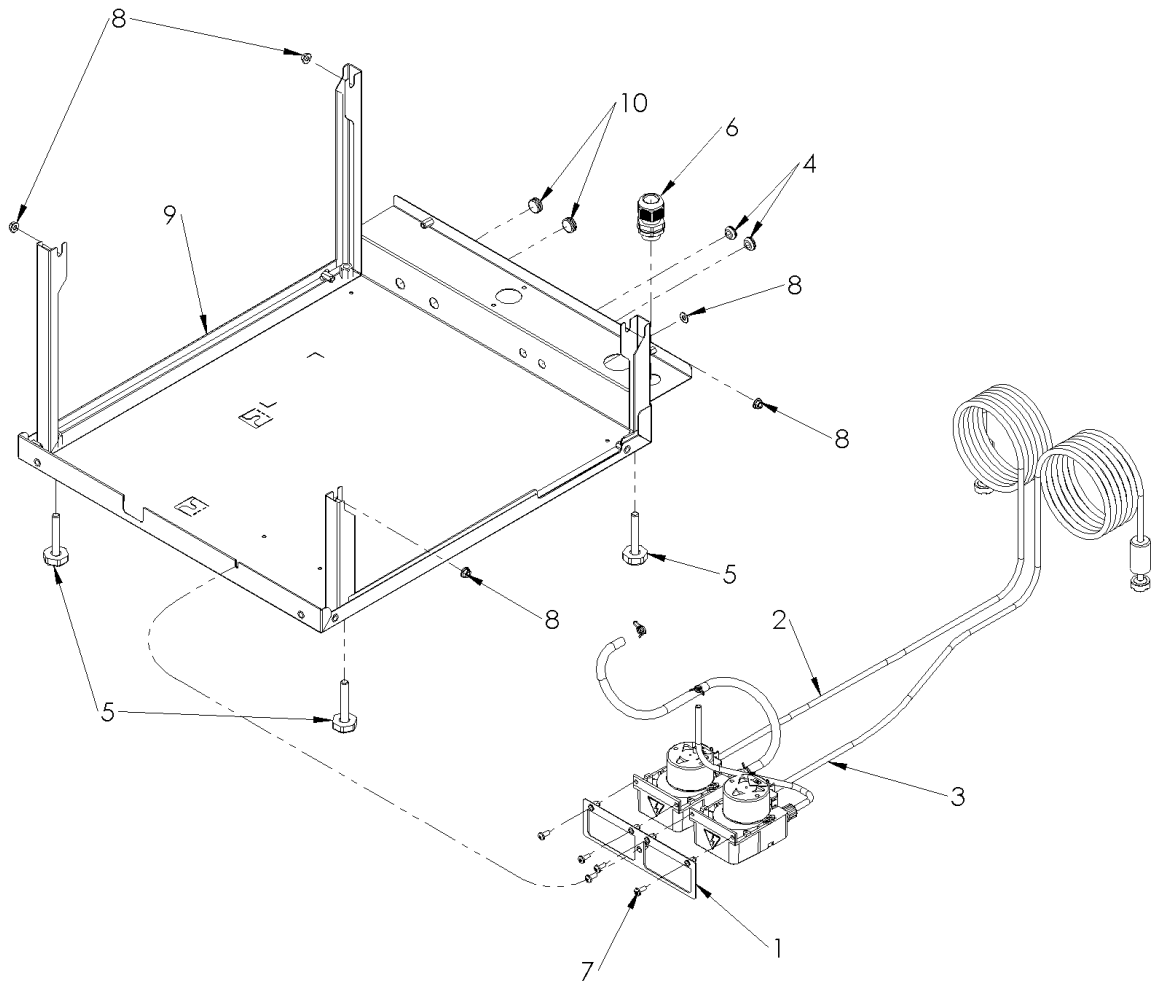


90001787-E

11. Minisump Assembly BOM

Item	Description	Part number	QTY.	Note
1	Sales Kit - Wash Pump [50Hz]	30019153	1	
1.1	10 μ F Capacitor	30002509	1	Includes washer & nut
1.2	O-ring 105 x4	30018094	1	
2	Drain Pump 50hz	30018090	1	
3	Sump kit	30018803	1	
3.1	O-ring 104 x6 EPDM60	30018095	1	
4	Drain pump O-RING	30018814	1	
5	MACRO-MODULE PLUG5, 2-POLE	3112091	1	
6	Sales Kit - V Band	30019022	2	Includes fixings
7	Foam Pad - Wash Pump	30018911	1	
8	Suppressor - Kit	60004356	1	

12. Base assembly

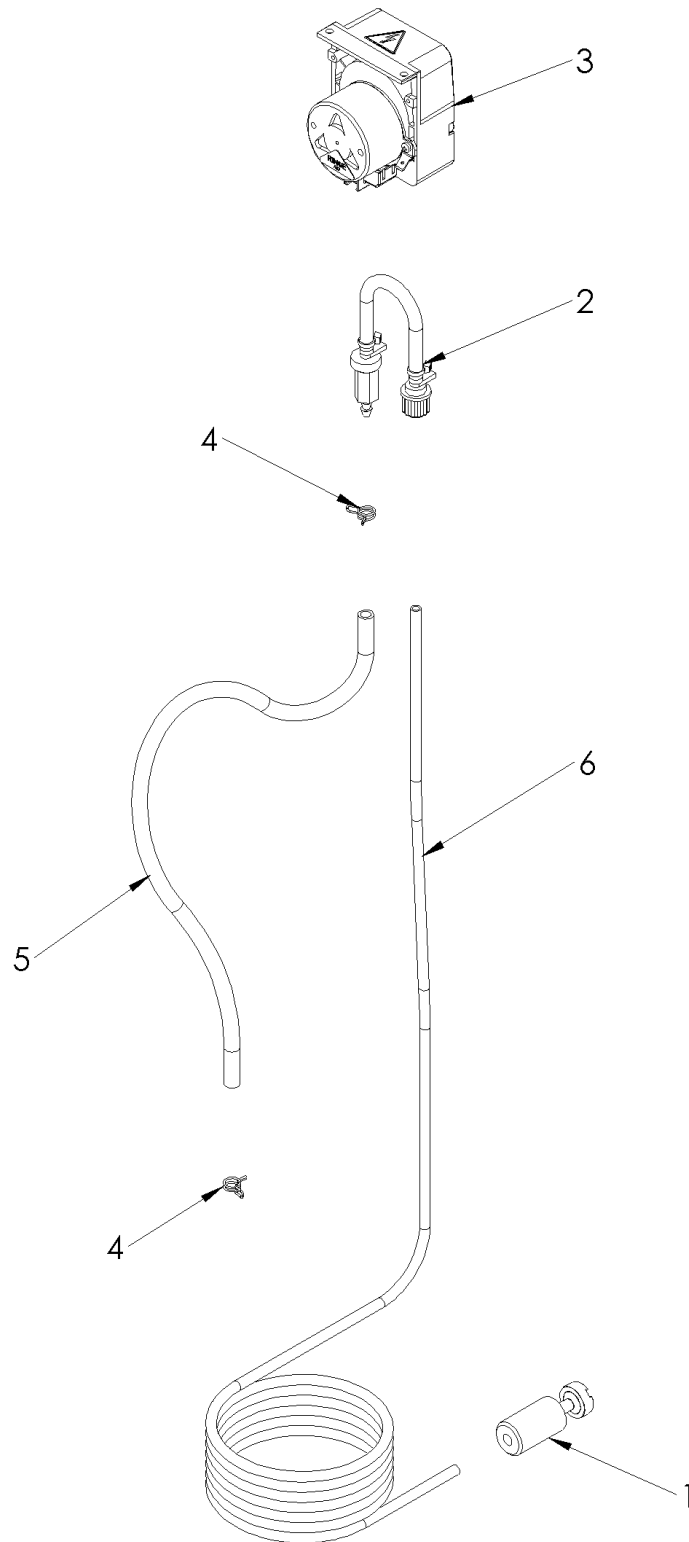


90001654-B

12. Base assembly -BOM

Item	Description	Part number	QTY.	Note
1	Chemical Pump Bracket	30018046	1	
2	Rinse Aid Pump Assembly	30018088	1	
3	Detergent Pump Assembly	30018087	1	
4	Chemical tube grommet	30002141	1	
5	Adjustable Foot	62003652	1	
6	M20 Cable gland	30001815	1	
7	M4 x 10mm Posi pan head screw		2	Available with Fastener Kit
8	M5 Flange nut (DIN 6923)		4	Available with Fastener Kit
9	UC 400 base assembly		1	Not available as a spare
10	Blanking Grommet (12.5mm)	30019184	2	

13. Rinse Aid pump assembly (30018088)

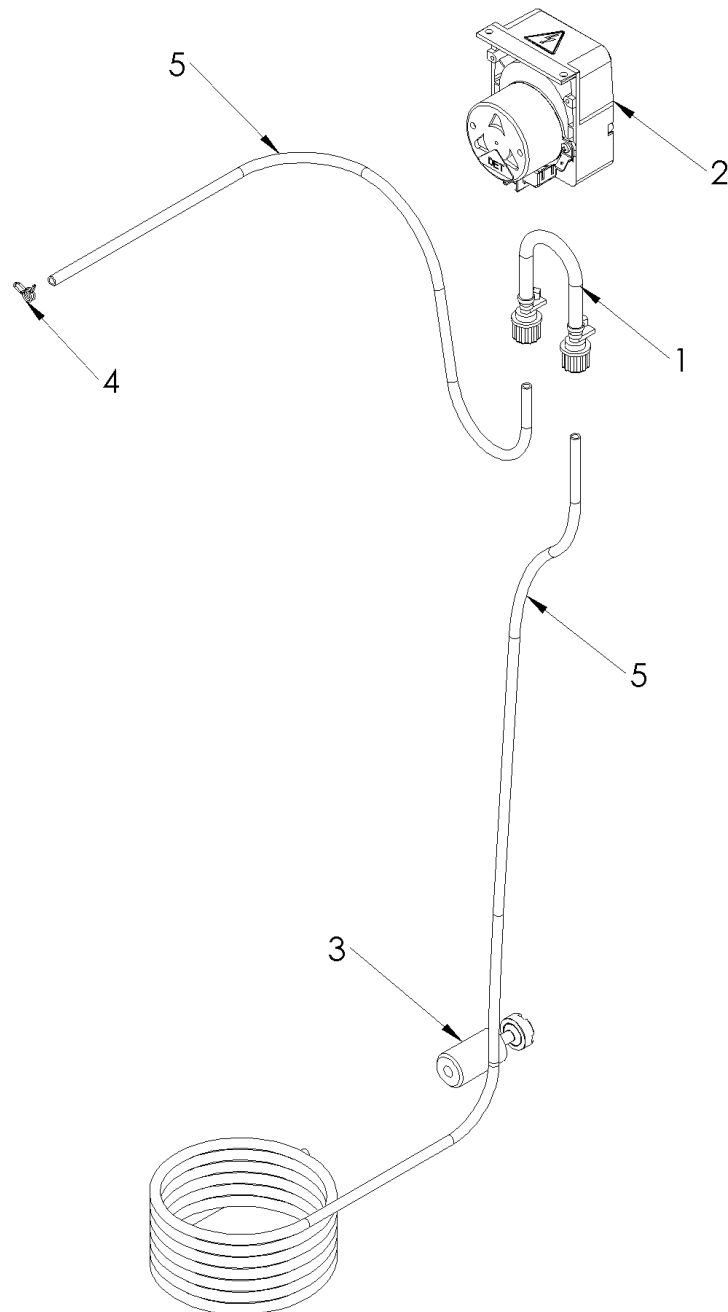


30018088-B

13. Rinse Aid pump assembly – BOM

Item	Description	Part number	QTY.	Note
1	Bottle weight kit	30012370	1	
2	Rinse aid peristaltic tube assembly	30012415	1	
3	Rinse Aid Housing		1	
4	Spring clip - Ø8.8mm to Ø9.3mm	30011994	2	
5	Rinse aid outlet tube	30012414	1	
6	Rinse aid inlet tube	30008385	1	

14. Detergent pump assembly (30018087)

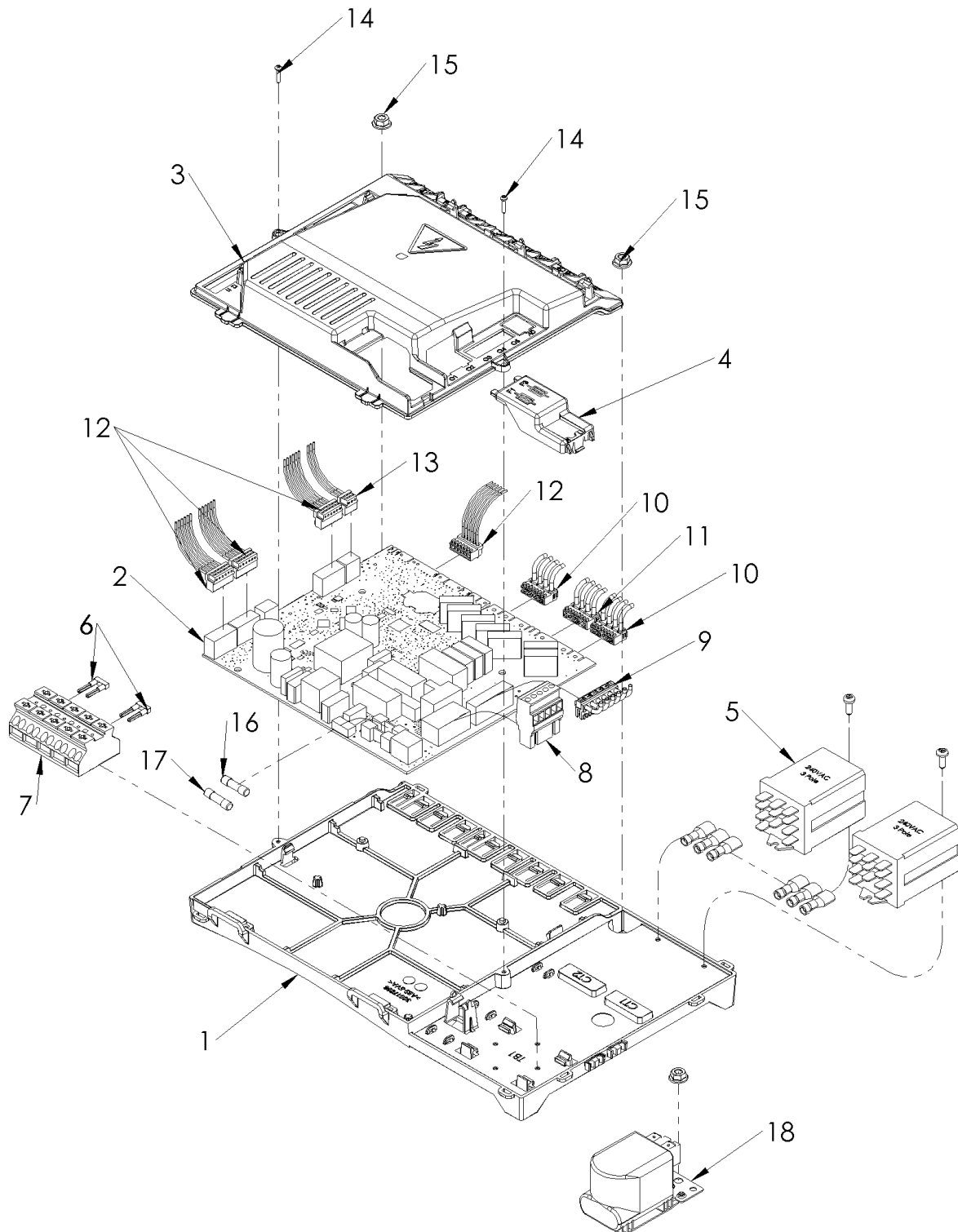


30018087 - B

14. Detergent pump assembly - BOM

Item	Description	Part number	QTY.	Note
1	DET Internl tube Asembly	30018812	1	
2	Det Pump Housing		1	
3	Bottle weight kit	30012370	1	
4	Spring clip - Ø6.6mm to Ø7mm	30011995	1	
5	Detergent inlet tube	30008386	1	

15. Control Assembly

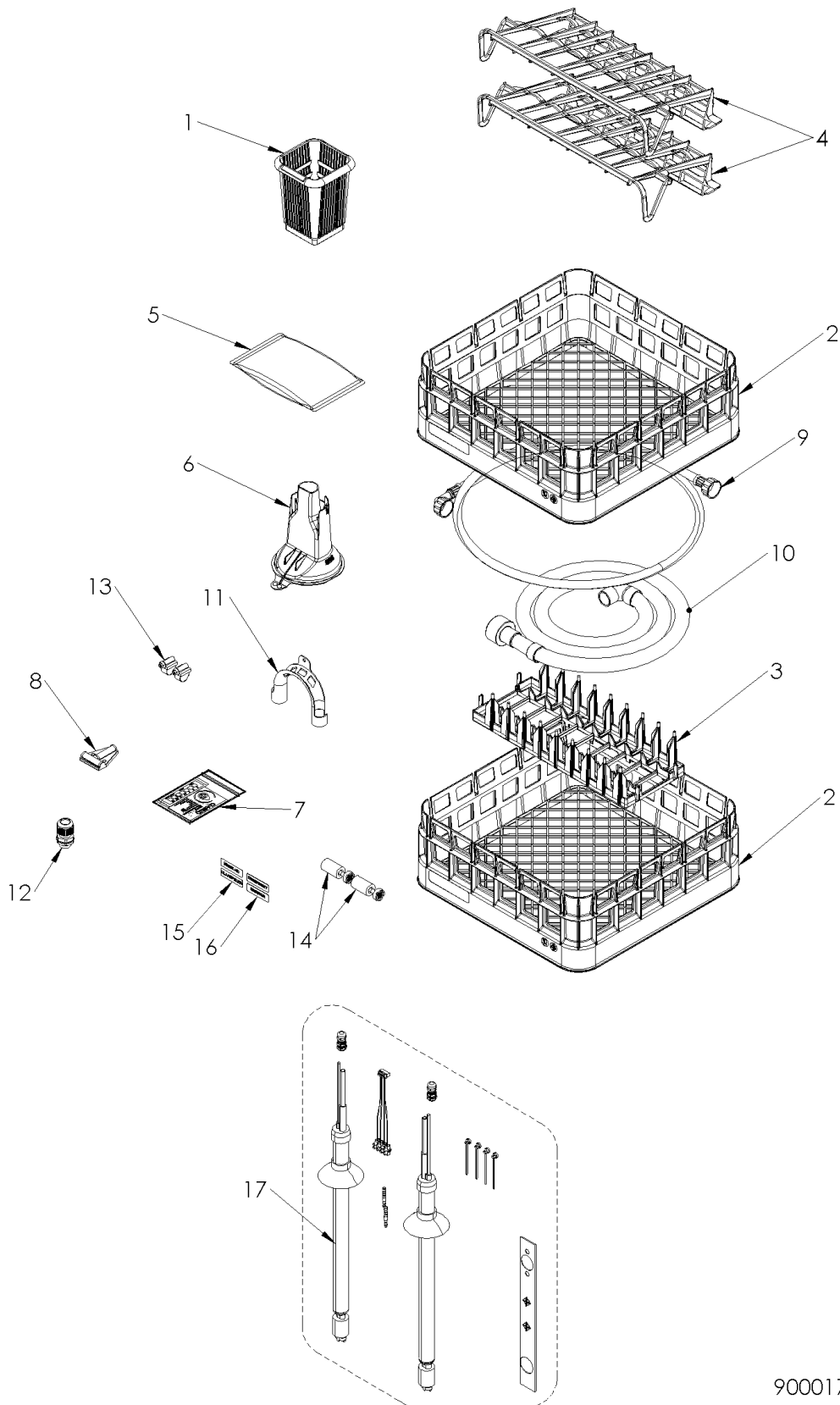


90001614-C

15. Control Assembly – BOM

Item	Description	Part number	QTY.	Note
1	PCB Enclosure - Base	30017898	1	
2	Control Board (Rest of the World)	30018818	1	
2	Control Board (AU)	30022422	1	For Australia / New Zealand
3	PCB Enclosure - Cover	30017900	1	
4	PCB Enclosure - Fuse Cover	30017899	1	
5	Sales Kit - 3 Pole Relay	30019024	2	Includes fixings
6	WAGO 5 pole jumping bar	30008142	1	Refer to wiring diagram for quantity
7	Terminal Block - 5 Pole - Grip Type	30001146	1	30A and 3 phase machines
8	Marco Module Plug5, 5Pole	30002002	1	
9	Module Plug (Size 5,0 / 6Pole)	30014140	1	
10	Module Plug (Size 5,0 / 4Pole) Type B	30014138	1	
11	Module Plug (Size 5,0 / 4Pole) Type A	30014137	1	
12	KIT MACRO-MODULE PLUG SIZE 2,5 6-POLE	30002484	1	
13	KIT MACRO-MODULE PLUG SIZE 2,5 3-POLE	30000198	1	
14	2.5x10mm PT screw	30011824	2	Available with Fastener Kit
15	M5 Flange nut (DIN 6923)		2	Available with Fastener Kit
16	Fuse 16A	30018557	1	
17	Fuse 2.5A	30018556	1	
18	Sales Kit - Mains Filter	30019023	1	Includes fixings

16. UC Accessories



90001789-B

16. UC Accessories BOM

Item	Description	Part number	QTY.	Note
1	CBS Cutlery holder	30001167	1	
2	400mm Plastic basket - cup/glass	30001165	2	
3	Plate Insert PI 400	30007213	1	
4	Glass Insert GR 400	30018552	2	
5	25Kg Salt Granular	2005166	1	
6	UC_Salt Funnel	30017897	1	For Unit with Inbuilt Water softener only
7	Water Testing Kit - Total Hardness	20006948	1	
8	Installation kit- Spirit level	30015135	1	
9	Water supply hose	30001162	1	
10	Drain Hose 2M	60003759	1	
11	Hook for drain hose	30006231	1	
12	M20 Cable gland	30001815	1	
13	J Clip (20-32) W2-12mm with Posi Drive	30018878	2	
14	Bottle weight kit	30012370	2	
15	Rinse Aid Sticker (English/German)		1	Not available as a spare
16	Detergent Sticker (English/German)		1	Not available as a spare
17	Sales Kit - Chemical Lances	30018975	1	
18	350x350 basket adapter frame	30018999	1	For Australia / New Zealand (Not Shown)

17. Mains cable

Item	Description	Part number	QTY.	Note
1	Sales Kit – 13A mains cable - [UK]	30003306	1	
2	Sales Kit – 15A mains cable - [AU]	30012774	1	
3	Sales Kit – 16A mains cable - [EU]	30012775	1	
4	Sales Kit – 30A mains cable - [3G4] - UC	30012385	1	
5	Sales Kit – 3 Phase mains cable - [5G2.5]	30014548	1	
6	Sales Kit – 3 Phase mains cable - [4G2.5]	30014550	1	

18. Fastener Kit (30018806)

Item	Description	Part number	QTY.	Note
1	M5 Thin Nylock nut (ISO 10511)		5	Available with Fastener Kit
2	M3 Thin Nylock nut (ISO 10511)		5	Available with Fastener Kit
3	M3x8 Pozi Pan screw A4		5	Available with Fastener Kit
4	M6x20 pozi CSK Screw A4		4	Available with Fastener Kit
5	M6x12 pozi pan screw A4		4	Available with Fastener Kit
6	M4 x 10mm Posi pan head screw		15	Available with Fastener Kit
7	M4 Nylock nut (ISO 7040)		5	Available with Fastener Kit
8	M12 Thin nut		2	Available with Fastener Kit
9	M5 Flange nut (DIN 6923)		25	Available with Fastener Kit
10	M3 Flange nut (DIN 6923)		5	Available with Fastener Kit
11	M5 x 50 hex head screw (ISO 4017)		4	Available with Fastener Kit
12	2.5x10mm PT screw		5	Available with Fastener Kit
13	3.5x10mm posi pan head PT screw		5	Available with Fastener Kit
14	M5 x10mm Posi Head Screw		15	Available with Fastener Kit

19. 60hz Variant

Item	Description	Part number	QTY.	Note
1	Wash Pump Assembly 60hz	30018136	1	
2	Rinse pump Assembly 60hz	30018596	1	
3	Drain Pump 60hz	30018600	1	