



Spares manual

C500

90001709

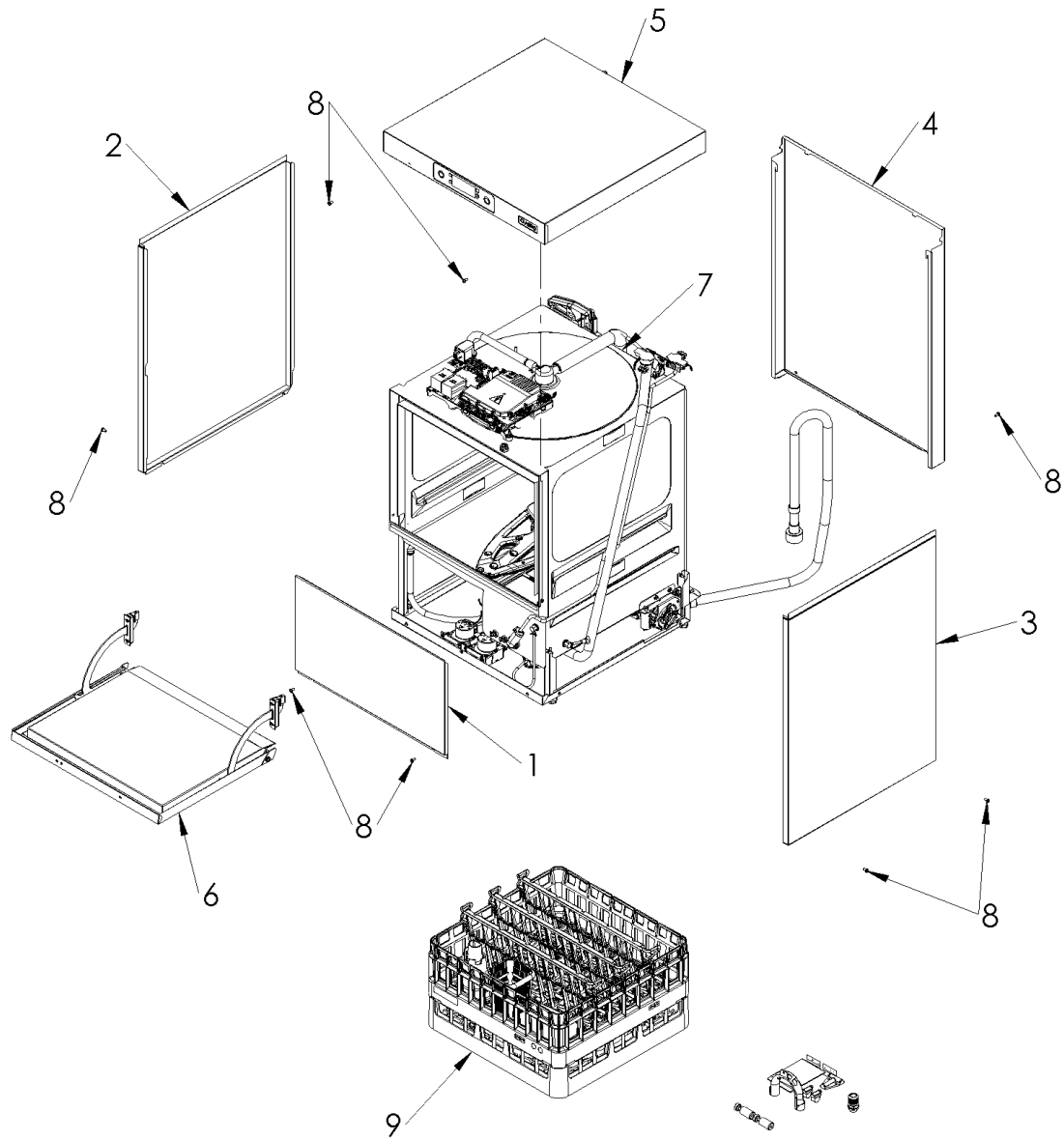
Revision: F

12/01/2026

Table of contents for C500

C500	1
1. Machine assembly	4
2. Top panel assembly (30018799)	6
3. Door Parts Assembly	8
4. Frame Assembly	10
5. Cabinet Parts Assembly	12
6. Filtration	14
7. Fill System	16
8. Boiler Assembly (30022876)	18
9. Wash Rinse & Drain System	20
10. Minisump Assembly	22
11. Base assembly	24
12. Rinse Aid pump assembly (30018088)	26
13. Detergent pump assembly (30018087)	28
14. Control Assembly	30
15. UC Accessories - 500	32
16. Deep Door – Parts	34
17. Mains cable	36
18. Fastener kit	36
19. 60hz Variant	36

1. Machine assembly

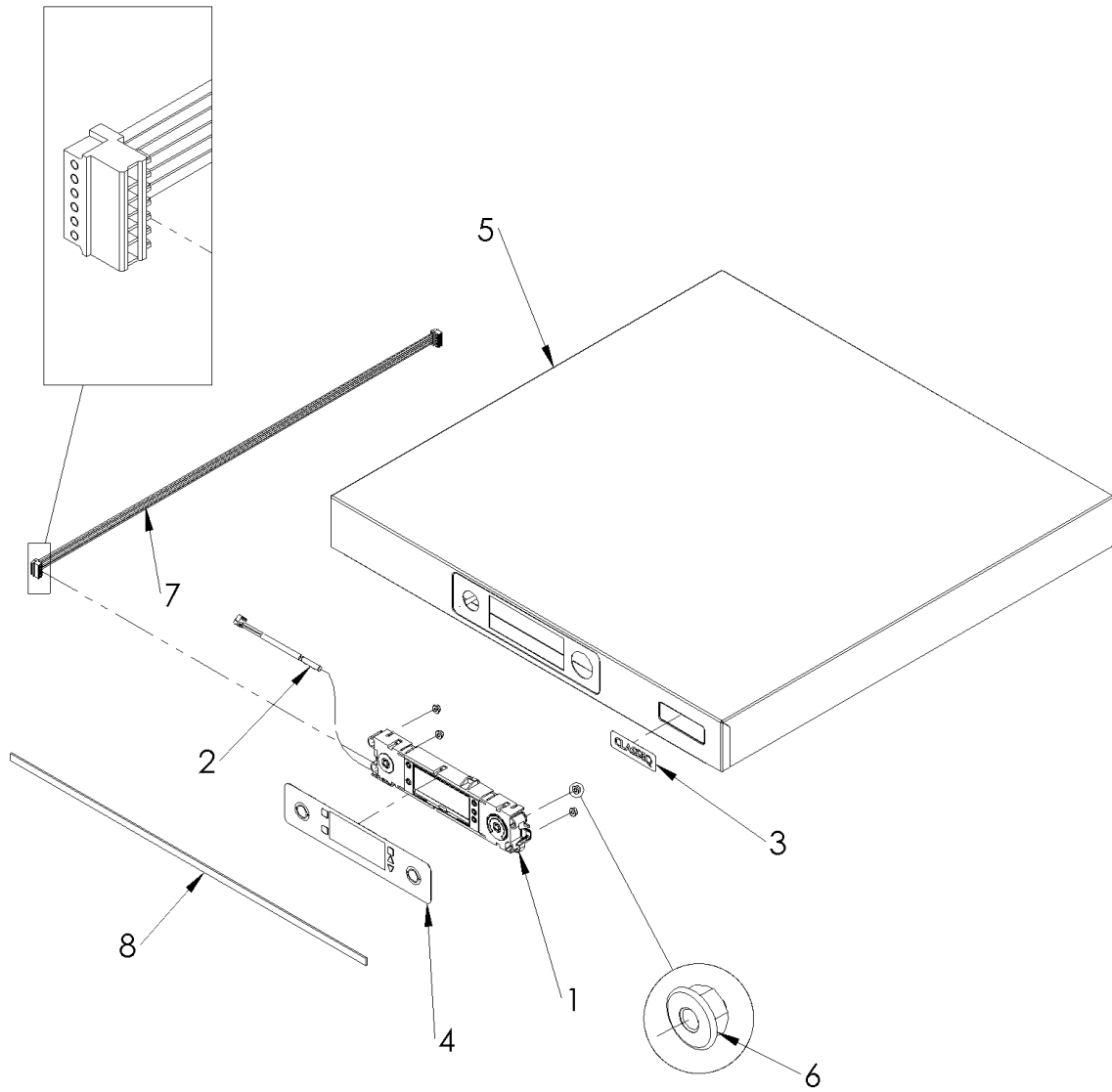


90001643-A

1. Machine assembly - BOM

Item	Description	Part number	QTY.	Note
1	Front Panel 500mm	30018062	1	
2	Side Panel Left 500mm	30018063	1	
3	Side Panel right 500mm	30018064	1	
4	Rear Panel 500mm	30018065	1	
5	500mm Top panel Assembly Spares	30018799	1	
6	Door Parts Assembly 500mm		1	Further Part breakdown of assembly available in Manual
7	Frame Assembly STD		1	Further Part breakdown of assembly available in Manual
8	M5 x10mm Posi Head Screw		10	Available with Fastener Kit
9	UC Accessories - 500		1	

2. Top panel assembly (30018799)

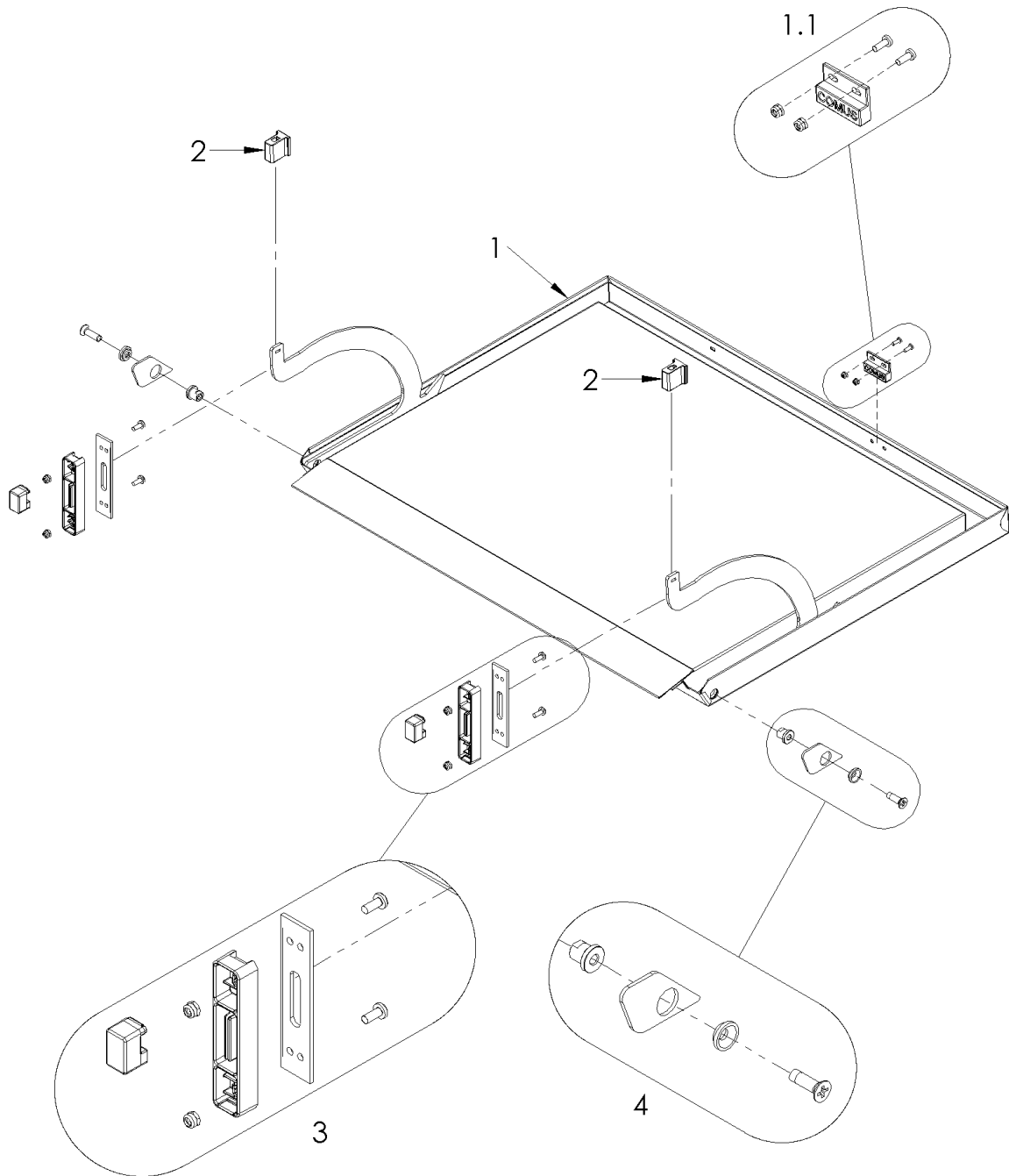


30018799-A

2. Top Panel assembly – BOM

Item	Description	Part number	QTY.	Note
1	Display Unit (Programmed)	30018917	1	
2	Door switch	30018123	1	
3	CLASSEQ badge	30018290	1	
4	Fascia	30018124	1	
5	Top Panel 500mm		1	Not available as a spare
6	M5 Thin Nylock nut (ISO 10511)		4	Available with Fastener Kit
7	UI Harness	30017998	1	
8	Foam seal	30011418	1	

3. Door Parts Assembly

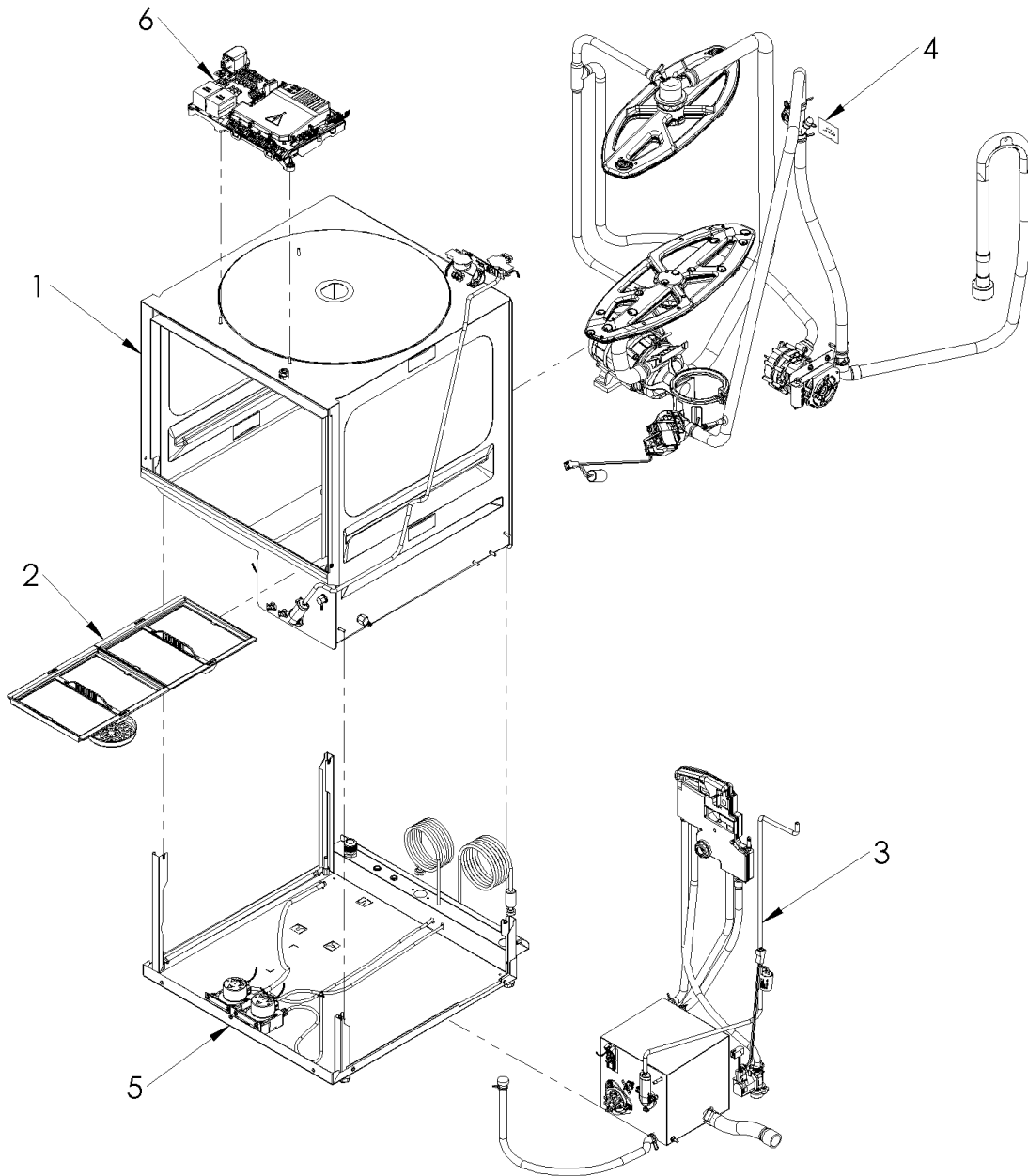


90001610-D

3. Door Parts Assembly – BOM

Item	Description	Part number	QTY.	Note
1	500mm Door Assembly Spares	30018800	1	
1.1	Sales Kit - Magnet [UC]	30022863	1	Includes fixings
2	Door Hinge cap	30018098	2	
3	Sales Kit - Hinge Guide	30018801	2	Includes fixings
4	Sales Kit - Hinge Pivot with boss	30019013	2	Includes fixings

4. Frame Assembly

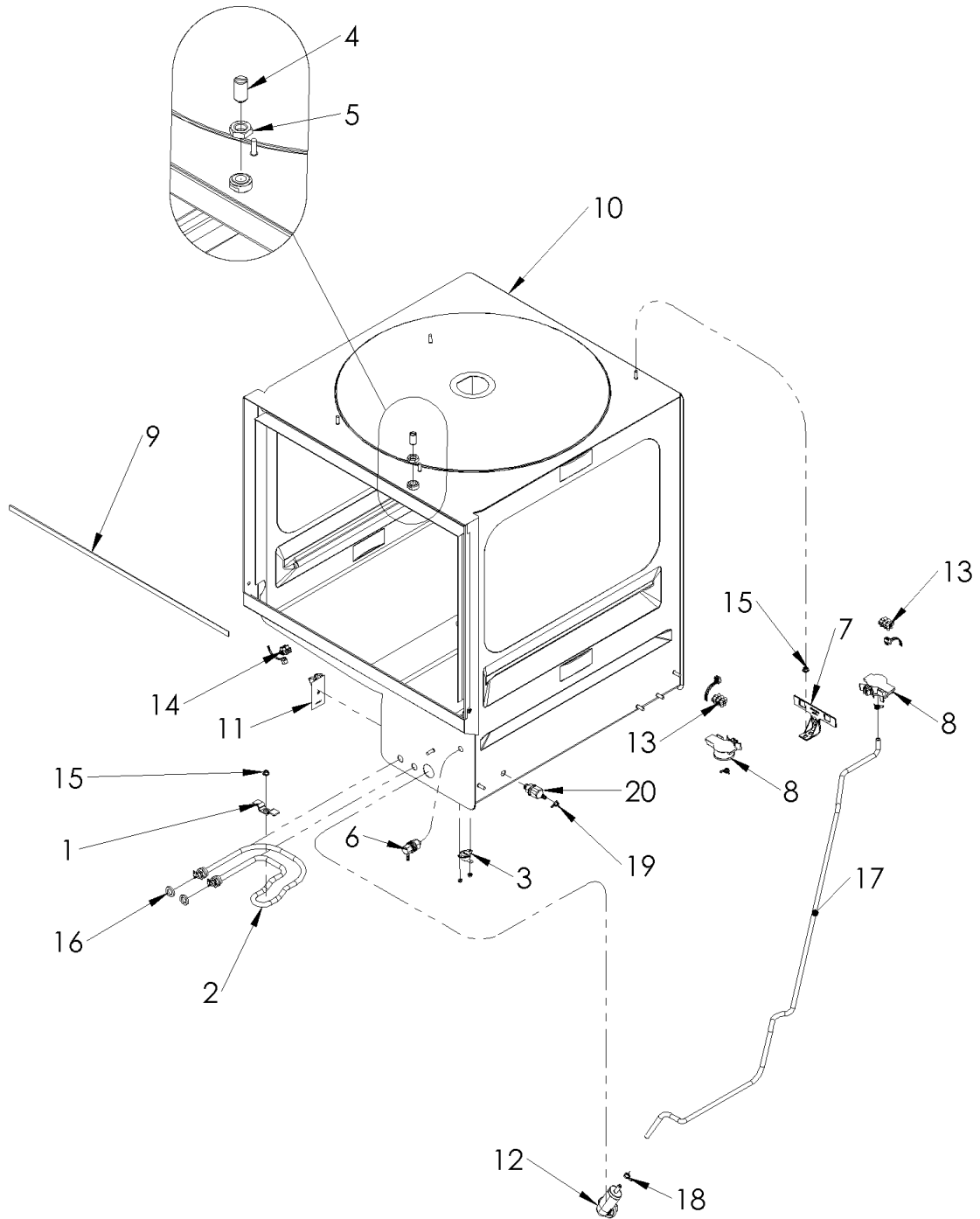


90001644-B

4. Frame Assembly – BOM

Item	Description	Part number	QTY.	Note
1	Cabinet Assembly STD		1	Further Part breakdown of assembly available in Manual
2	Filtration 500mm		1	Further Part breakdown of assembly available in Manual
3	Fill System STD		1	Further Part breakdown of assembly available in Manual
4	Wash Rinse Drain System 500mm		1	Further Part breakdown of assembly available in Manual
5	Base Assembly 500mm		1	Further Part breakdown of assembly available in Manual
6	Control Assembly		1	Further Part breakdown of assembly available in Manual

5. Cabinet Parts Assembly

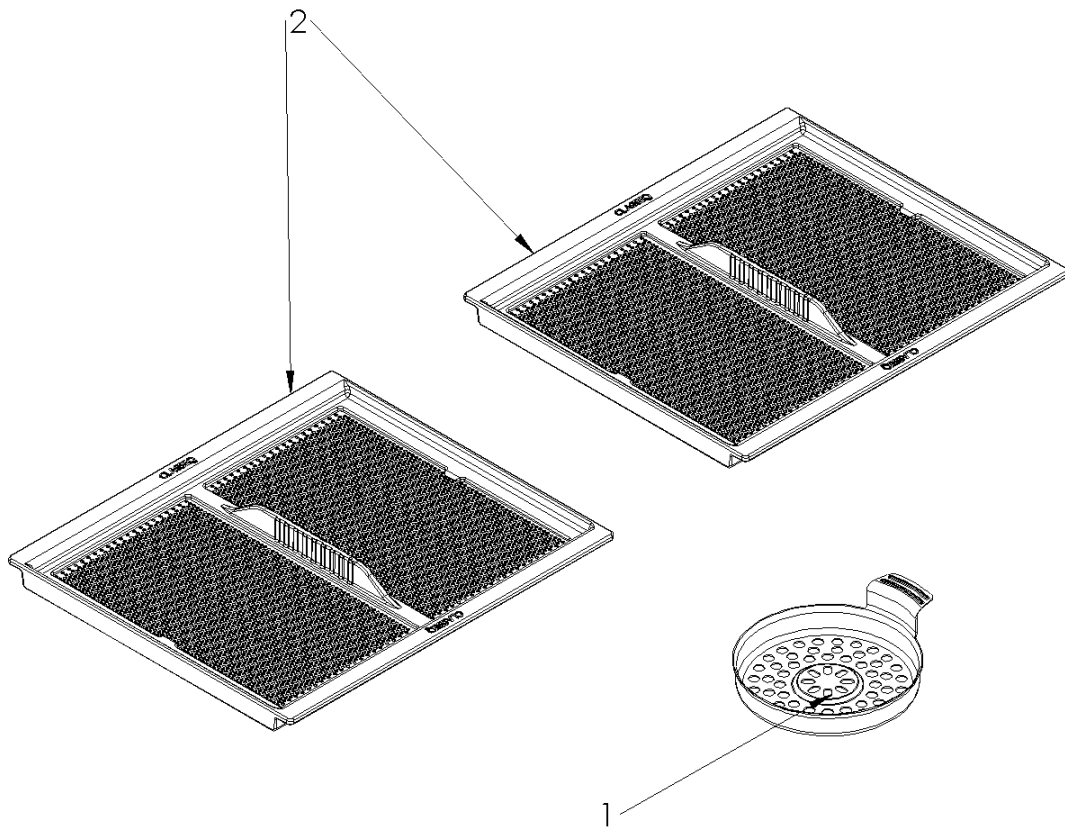


90001647-C

5. Cabinet Parts Assembly – BOM

Item	Description	Part number	QTY.	Note
1	Wash Element Retaining Bracket	30006126	1	
2	Wash Element 2kW	30018105	1	Includes 2x Washers & 2x M12 fine thread thin nut
3	Sales Kit - 85°C thermal cut-out	30019016	1	Includes fixings
4	Ball catch - M12	30001064	1	
5	M12 Thin nut	30001070	1	
6	Detergent inlet fitting	30011822	1	
7	Air Pressure Sensor - Plastic Mount	60004493	1	
8	Sales Kit - Pressure Sensor	30019017	2	Includes fixings
9	Foam seal	30011418	1	
10	Cabinet 500mm STD		1	Not available as a spare
11	Sales Kit - Thermo sensor	30002179	1	
12	Kit air pressure chamber	60003525	1	
13	KIT MACRO-MODULE PLUG SIZE 2,5 3-POLE	30000198	2	
14	KIT MACRO-MODULE PLUG SIZE 2,5 2-POLE	30000197	1	
15	M5 Flange nut (DIN 6923)		2	Available with Fastener Kit
16	Wash element fibre washer 19mmx3mm	30014272	2	
17	Wash tube [APS] (400/500)	30014330	1	
18	Spring clip - Ø8.8mm to Ø9.3mm		1	
19	Spring clip - Ø7mm		1	
20	Sales Kit - Recirculation Vent	30022825	1	Includes fixings & seal

6. Filtration

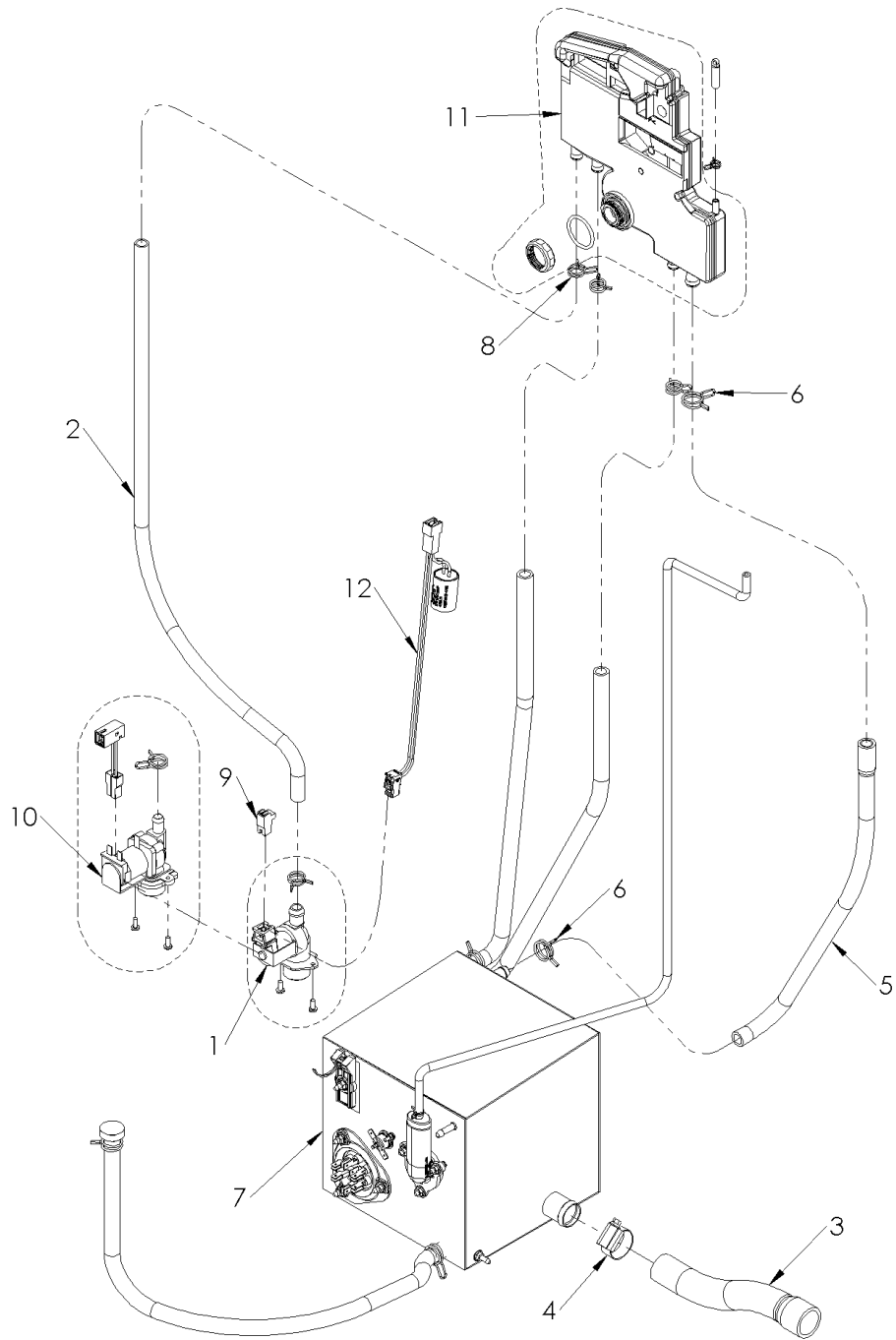


90001616-A

6. Filtration - BOM

Item	Description	Part number	QTY.	Note
1	Secondary Filter Stainless steel	30017864	1	
2	Filter assembly 500mm	30017901	2	

7. Fill System

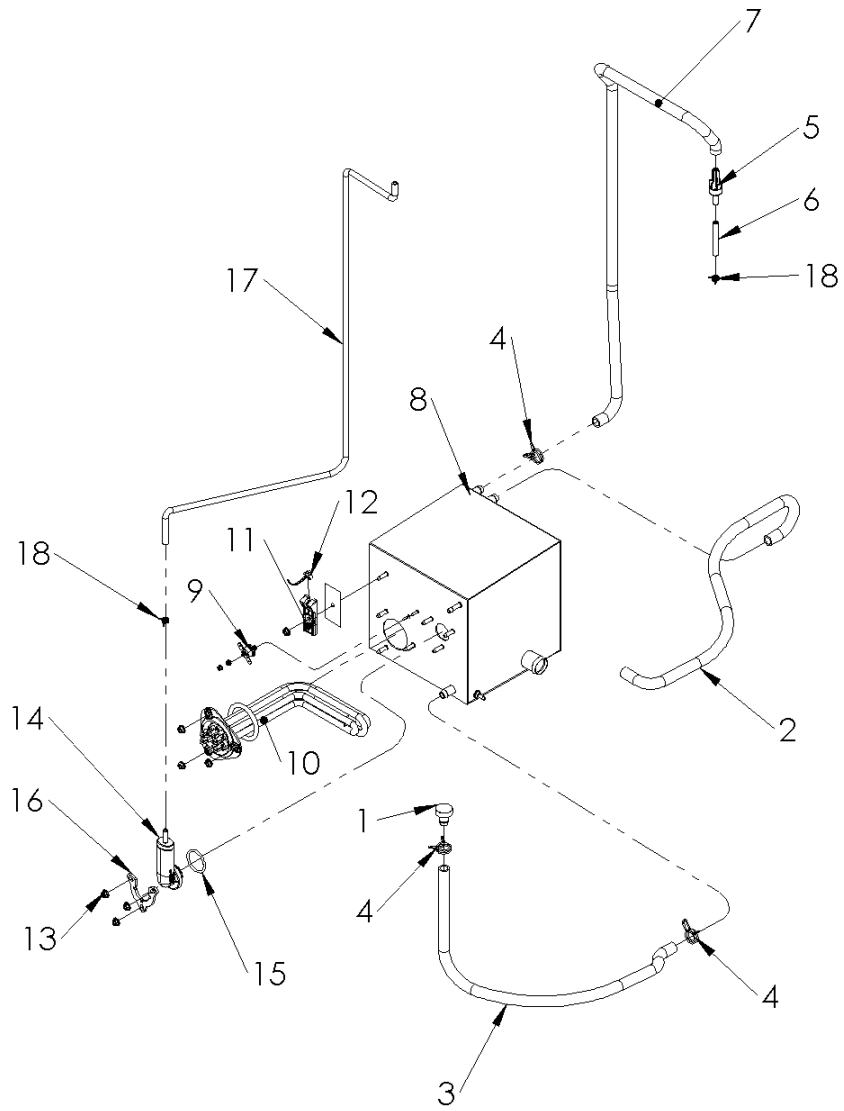


90001645-D

7. Fill System – BOM

Item	Description	Part number	QTY.	Note
1	Sales Kit - Solenoid Valve [4 Ltr /min]	30019018	1	Includes fixings
2	Hose - Solenoid to AB - 500	30018101	1	
3	Rinse Inlet Hose 500mm	30017983	1	
4	J Clip (20-32) W2-12mm with Posi Drive		1	Available with Fastener Kit
5	Hose - Breather - 500	30017973	1	
6	Spring clip - Ø17.3mmx1.8		2	Available with Fastener Kit
7	Sales Kit - Boiler Assembly [C500 (STD)]	30022876	1	
8	Spring clip - Ø14mmx1.5		1	Available with Fastener Kit
9	MACRO-MODULE PLUG5, 2-POLE	3112091	1	
10	Sales Kit - Solenoid Valve [4 L /min] AU / NZ	30019015	1	Includes fixings
11	Sales Kit - Air Break [STD]	30019019	1	Includes seal and nut
12	Suppressor - Kit	60004356	1	

8. Boiler Assembly (30022876)

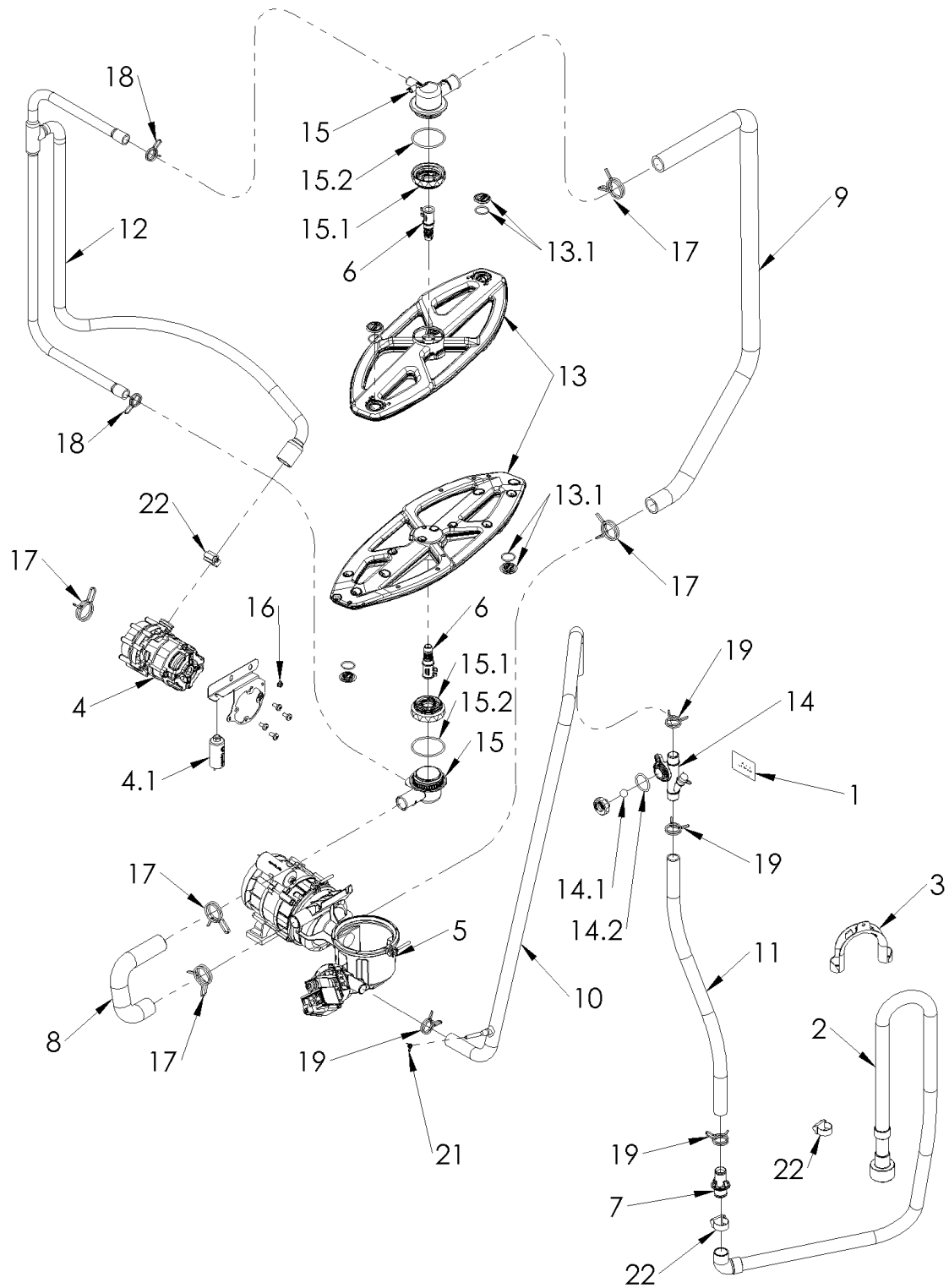


30022878-A

8. Boiler Assembly – BOM

Item	Description	Part number	QTY.	Note
1	Tube plug	70007962	1	
2	Port 5 Hose 500mm	30017979	1	
3	Hose - Boiler Drain - 500	30017966	1	
4	Spring clip - Ø17.3mmx1.8		3	Available with Fastener Kit
5	Vent - Pipe adapter (10mm - 6mm)	30022457	1	
6	Hose - Vent	30022484	1	
7	Hose - 500 breather	30022483	1	
8	Rinse Boiler - 6.5Ltr		1	Not available as a spare
9	Sales Kit - 95°C thermal cut-out	30019020	1	Includes fixings
10	Sales Kit - 6kW Heating Element	30019021	1	Includes fixings & seal
11	Sales Kit - Thermo sensor	30002179	1	
12	KIT MACRO-MODULE PLUG SIZE 2,5 2-POLE	30000197	1	
13	M5 Flange nut (DIN 6923)		4	Available with Fastener Kit
14	Air pressure vessel assembly	60004730	1	
15	O-ring - Ø30mmx3mm	30012629	1	
16	Bracket - APS Rinse	30022481	1	
17	Hose - APS Rinse	30022793	1	
18	Spring clip - Ø8.8mm to Ø9.3mm		2	Available with Fastener Kit

9. Wash Rinse & Drain System

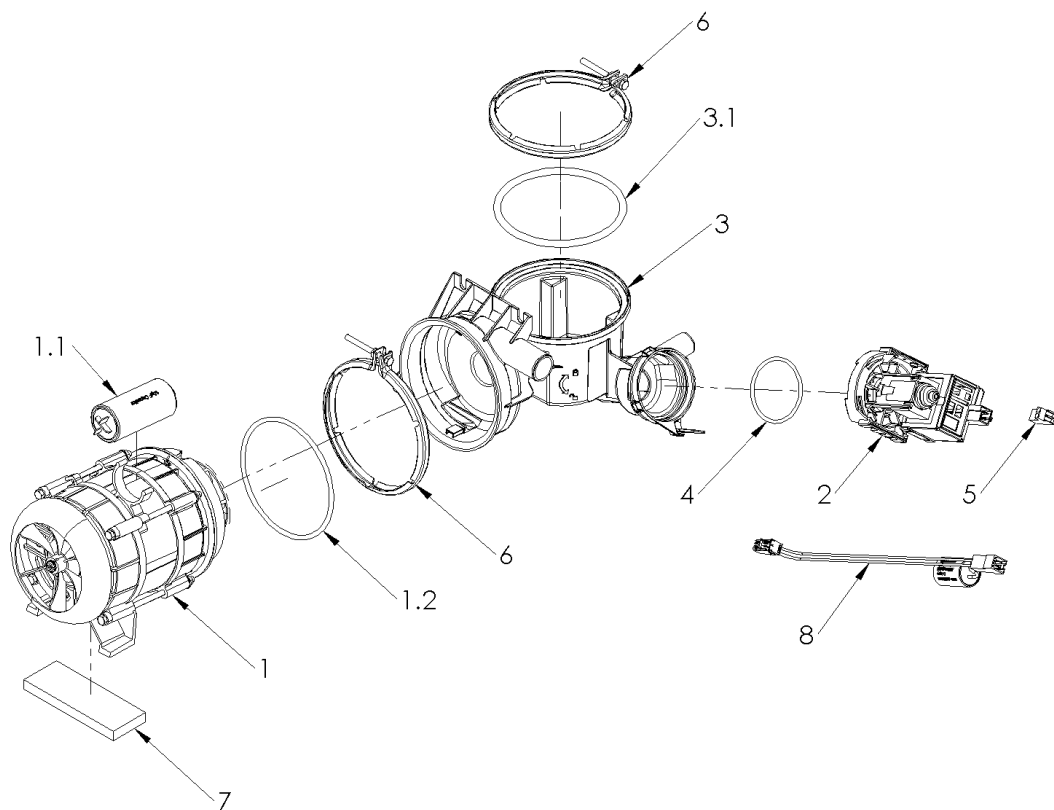


90001615-C

9. Wash Rinse & Drain System – BOM

Item	Description	Part number	QTY.	Note
1	Drain height sticker		1	
2	Drain Hose 2M	60003759	1	
3	Hook for drain hose	30006231	3	
4	Rinse Pump Assembly 50hz	30018085	1	
4.1	4 μ F Capacitor	30011584	1	Includes washer & nut
5	Sump Assembly		1	Further part breakdown of assembly available in Manual
6	Wash field Spindle	60003169	2	
7	Drain Double Nipple	60004609	1	
8	Wash Outlet Hose Bottom 500mm	30017991	1	
9	Wash outlet Hose top 500mm	30017990	1	
10	Drain Outlet Hose 500mm	30017980	1	
11	Drain Outlet Antisiphon 500mm	30017985	1	
12	Rinse Outlet Hose 500mm	30017989	1	
13	Wash & Rinse Arm - 500	61007407	2	
13.1	Wash Arm - Plug	60004854	4	
14	Sales Kit - Drain anti-syphon assembly	30019002	1	
14.1	Drain Air break Ball	2801508	1	
14.2	O-ring - Ø30mmx3mm	30012629	1	
15	Centre boss Kit	30018804	2	
15.1	Locking Nut - Centre Boss	60004870	1	
15.2	O-Ring [56 X 3,0]	30014174	1	
16	M5 Flange nut (DIN 6923)		2	Available with Fastener Kit
17	Spring Clip D32,7 X 2,8	2802362	4	
18	Spring Clip D21,2 X 2,0	2802355	2	
19	Wire Hose Clip (D24.2 x 2.2)	2802358	4	
20	Spring Clip D35,0 X 3,0	2802364	1	
21	Spring clip - Ø6.6mm to Ø7mm	30011995	1	
22	J Clip (20-32) W2-12mm with Posi Drive	30018878	1	

10. Minisump Assembly

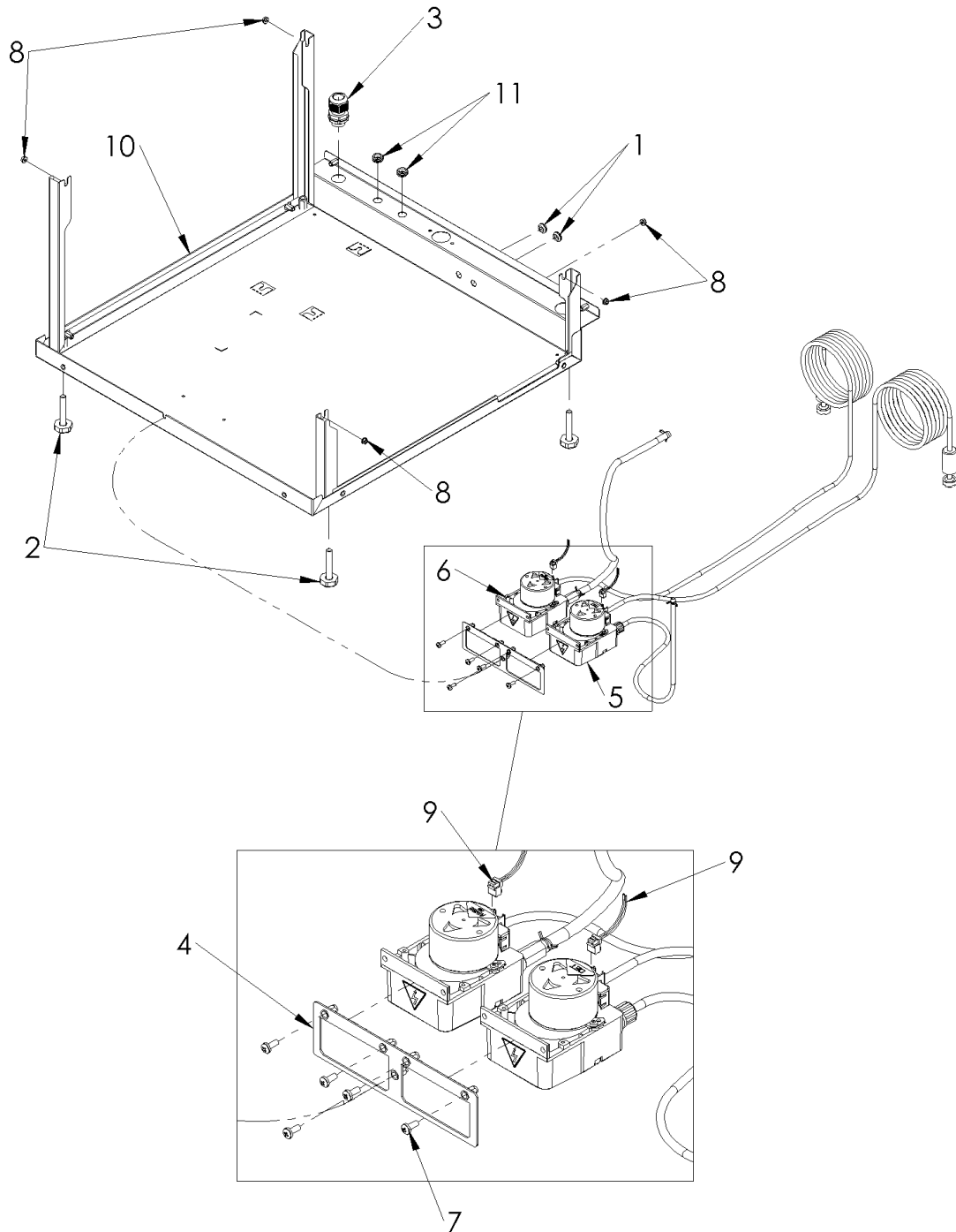


90001787-E

10. Minisump Assembly BOM

Item	Description	Part number	QTY.	Note
1	Sales Kit - Wash Pump [50Hz]	30019153	1	
1.1	10 μ F Capacitor	30002509	1	Includes washer & nut
1.2	O-ring 105 x4	30018094	1	
2	Drain Pump 50hz	30018090	1	
3	Sump kit	30018803	1	
3.1	O-ring 104 x6 EPDM60	30018095	1	
4	Drain pump O-RING	30018814	1	
5	MACRO-MODULE PLUG5, 2-POLE	3112091	1	
6	Sales Kit - V Band	30019022	2	Includes fixings
7	Foam Pad - Wash Pump	30018911	1	
8	Suppressor - Kit	60004356	1	

11. Base assembly

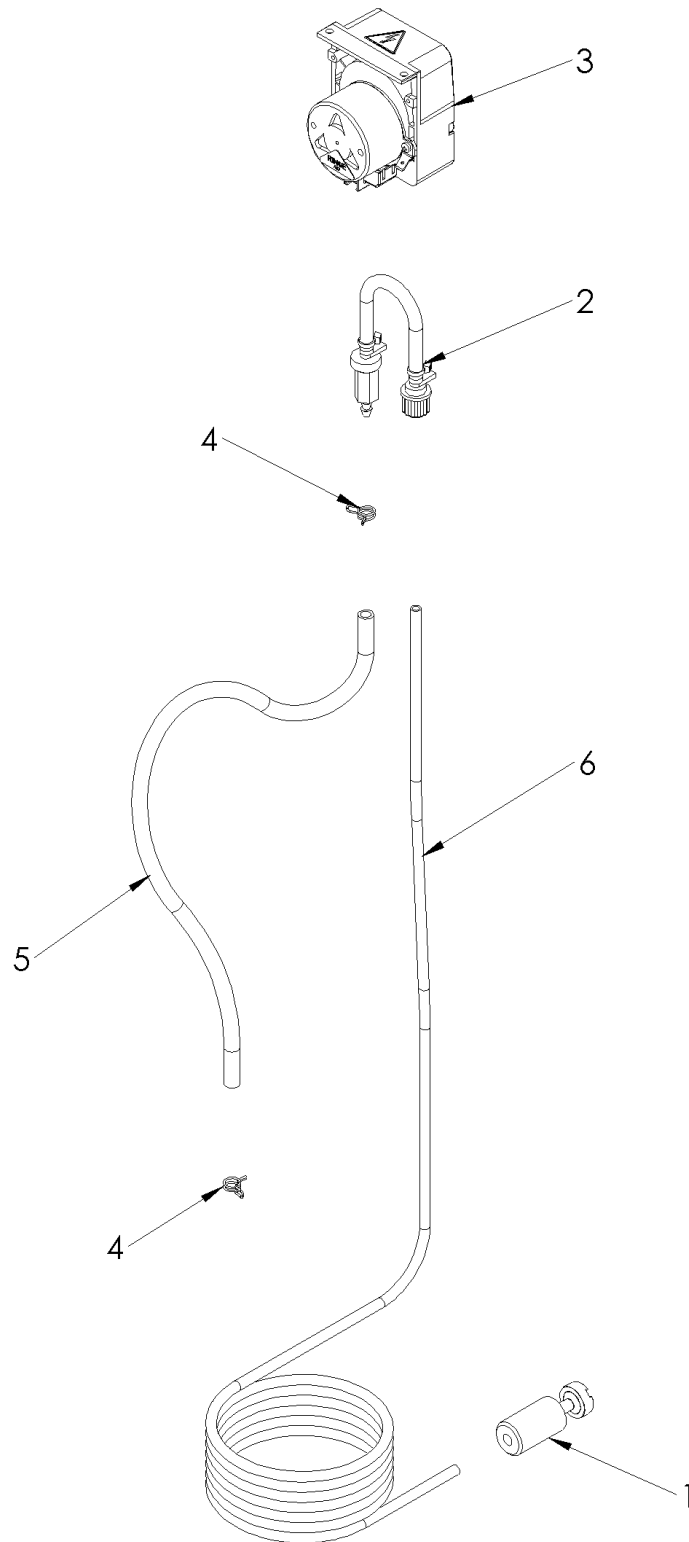


90001611-B

11. Base assembly -BOM

Item	Description	Part number	QTY.	Note
1	Chemical tube grommet	30002141	2	
2	Adjustable Foot	62003652	4	
3	M20 Cable gland	30001815	1	
4	Chemical Pump Bracket	30018046	1	
5	Detergent Pump Assembly	30018087	1	
6	Rinse Aid Pump Assembly	30018088	1	
7	M4 x 10mm Posi pan head screw		5	Available with Fastener Kit
8	M4 Flange nut (DIN 6923)		5	Available with Fastener Kit
9	KIT MACRO-MODULE PLUG SIZE 2,5 2-POLE	30000197	2	
10	Base Assembly - 500		1	Not available as a spare
11	Blanking Grommet (12.5mm)	30019184	2	

12. Rinse Aid pump assembly (30018088)

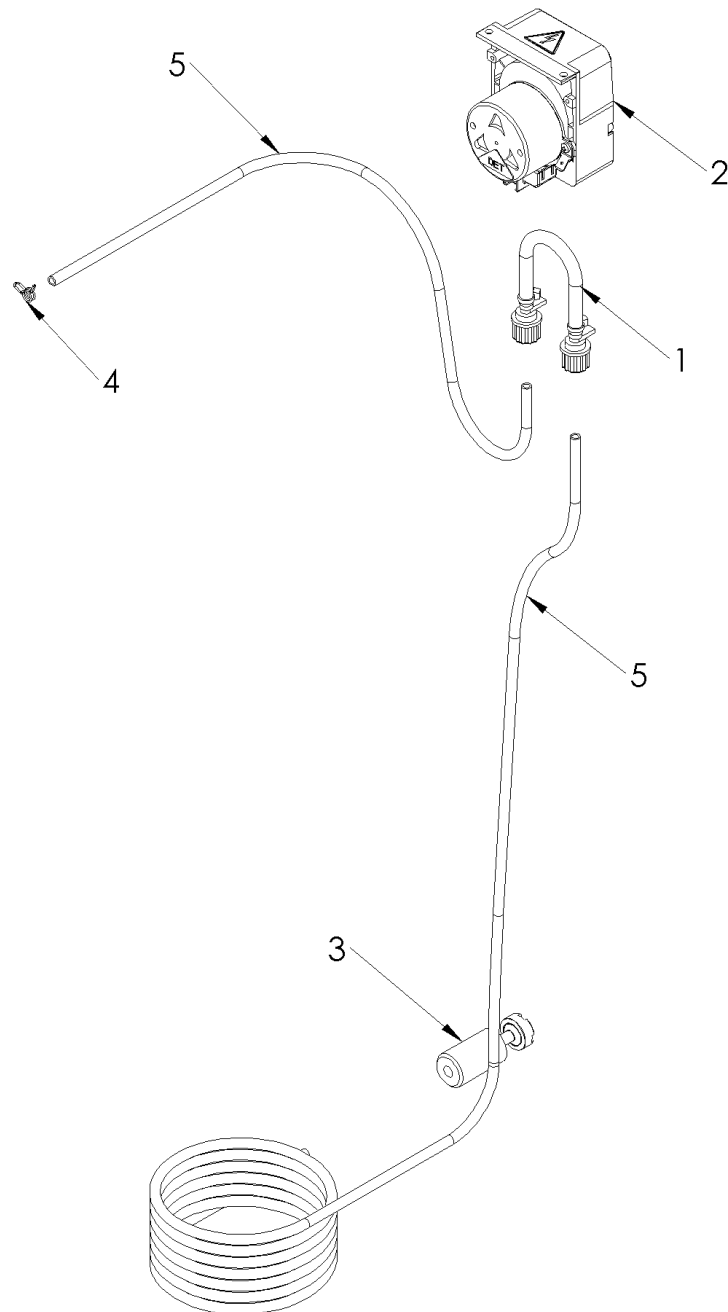


30018088-B

12. Rinse Aid pump assembly – BOM

Item	Description	Part number	QTY.	Note
1	Bottle weight kit	30012370	1	
2	Rinse aid peristaltic tube assembly	30012415	1	
3	Rinse Aid Housing		1	
4	Spring clip - Ø8.8mm to Ø9.3mm	30011994	2	
5	Rinse aid outlet tube	30012414	1	
6	Rinse aid inlet tube	30008385	1	

13. Detergent pump assembly (30018087)

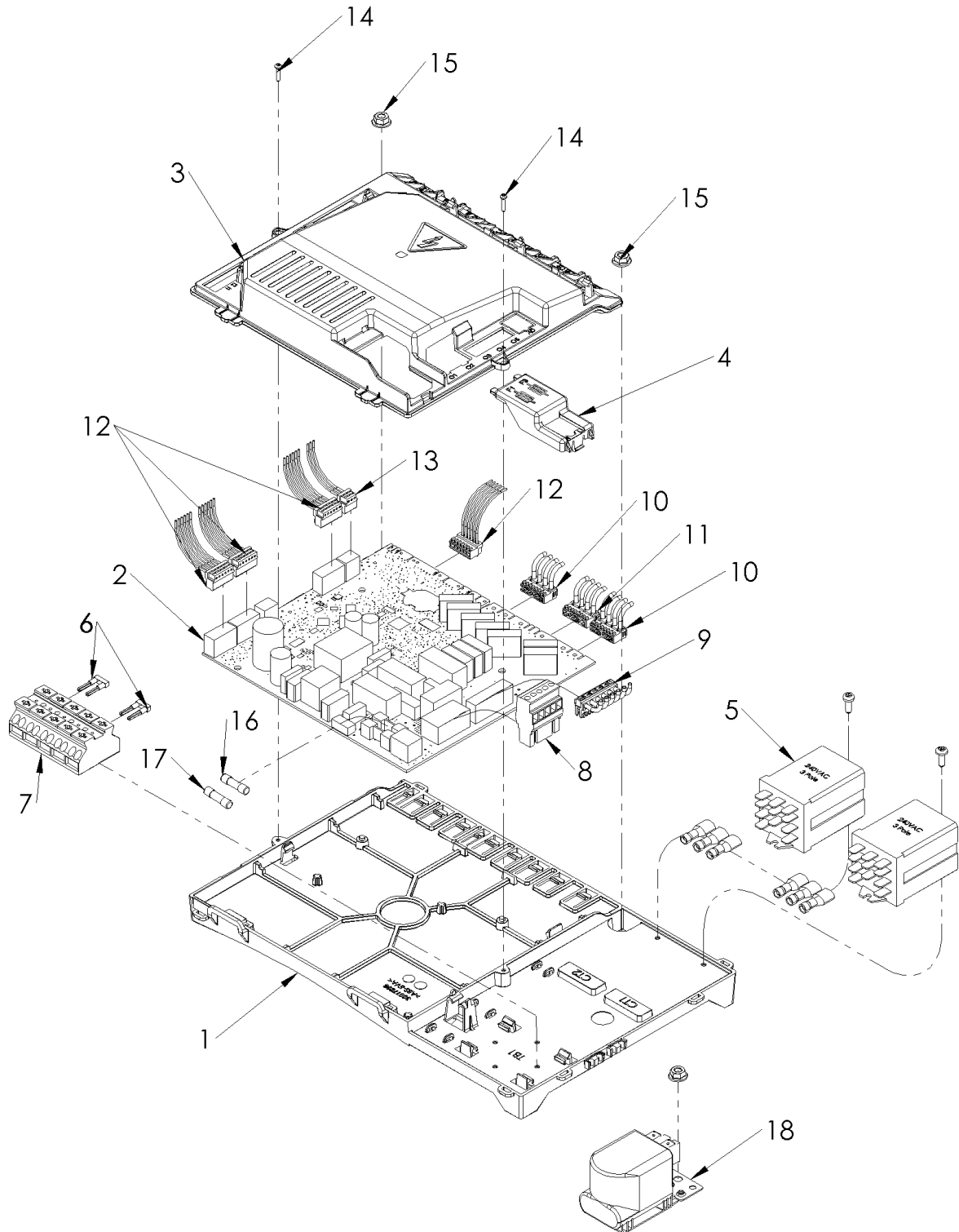


30018087 - B

13. Detergent pump assembly - BOM

Item	Description	Part number	QTY.	Note
1	DET Internl tube Asembly	30018812	1	
2	Det Pump Housing		1	
3	Bottle weight kit	30012370	1	
4	Spring clip - Ø6.6mm to Ø7mm	30011995	1	
5	Detergent inlet tube	30008386	1	

14. Control Assembly

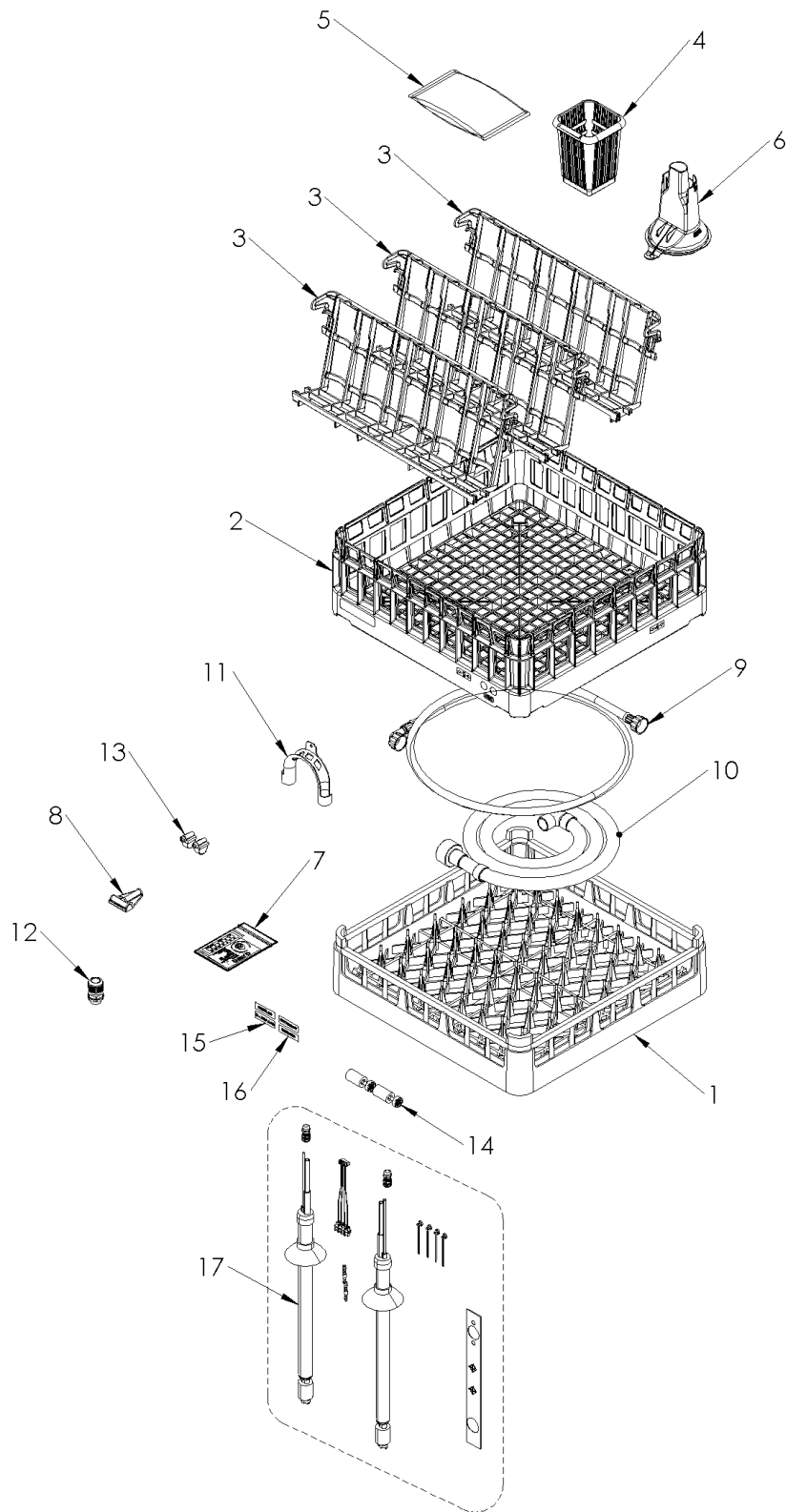


90001614-C

14. Control Assembly – BOM

Item	Description	Part number	QTY.	Note
1	PCB Enclosure - Base	30017898	1	
2	Control Board (Rest of the World)	30018818	1	
2	Control Board (AU)	30022422	1	For Australia / New Zealand
3	PCB Enclosure - Cover	30017900	1	
4	PCB Enclosure - Fuse Cover	30017899	1	
5	Sales Kit - 3 Pole Relay	30019024	2	Includes fixings
6	WAGO 5 pole jumping bar	30008142	1	Refer to wiring diagram for quantity
7	Terminal Block - 5 Pole - Grip Type	30001146	1	30A and 3 phase machines
8	Marco Module Plug5, 5Pole	30002002	1	
9	Module Plug (Size 5,0 / 6Pole)	30014140	1	
10	Module Plug (Size 5,0 / 4Pole) Type B	30014138	1	
11	Module Plug (Size 5,0 / 4Pole) Type A	30014137	1	
12	KIT MACRO-MODULE PLUG SIZE 2,5 6-POLE	30002484	1	
13	KIT MACRO-MODULE PLUG SIZE 2,5 3-POLE	30000198	1	
14	2.5x10mm PT screw	30011824	2	Available with Fastener Kit
15	M5 Flange nut (DIN 6923)		2	Available with Fastener Kit
16	Fuse 16A	30018557	1	
17	Fuse 2.5A	30018556	1	
18	Sales Kit - Mains Filter	30019023	1	Includes fixings

15. UC Accessories - 500

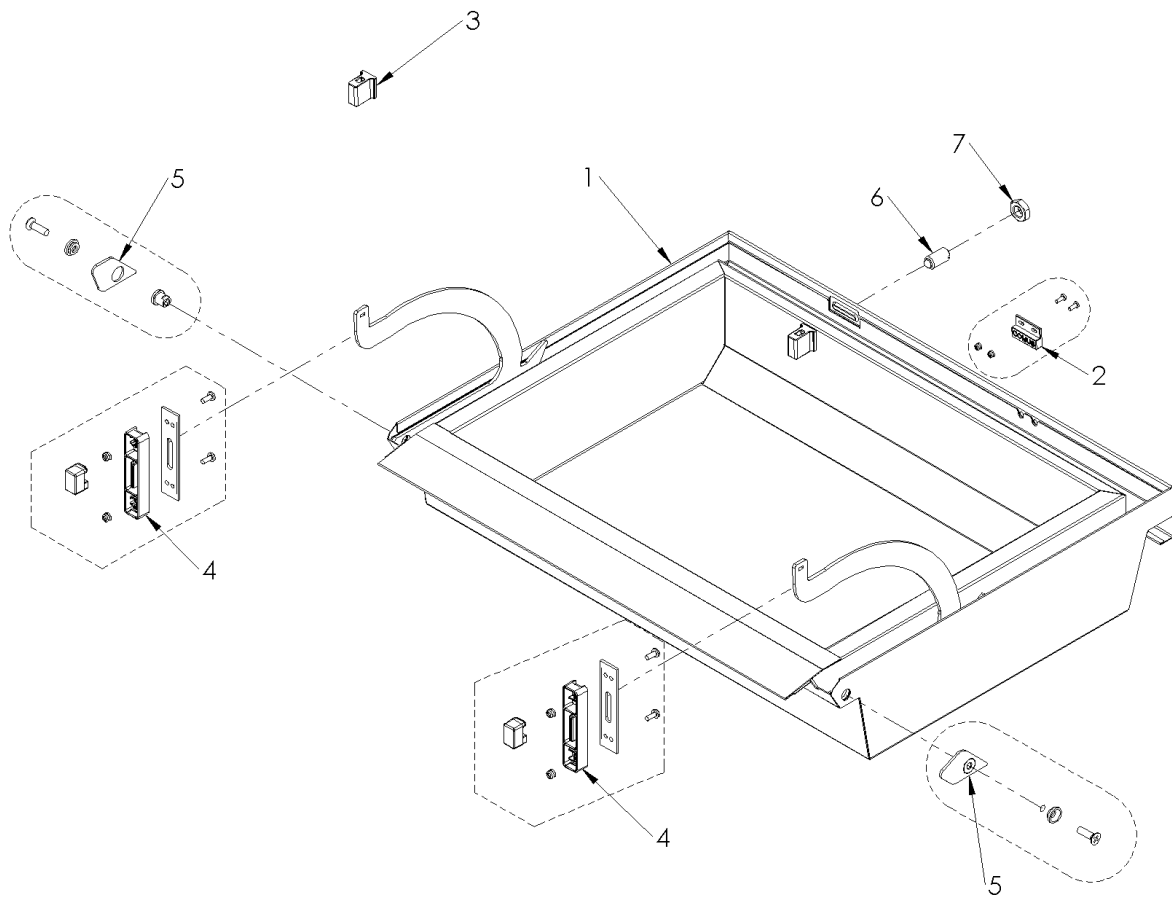


90001788-B

15. UC Accessories - 500

Item	Description	Part number	QTY.	Note
1	500mm ² dish basket	30001198	1	
2	Tall Glass Basket - 500	30013206	1	
3	Glasrelax insert GR 500	30018551	3	
4	CBS Cutlery holder	30001167	1	
5	25Kg Salt Granular	2005166	1	
6	UC_Salt Funnel	30017897	1	For Unit with Inbuilt Water softener only
7	Water Testing Kit - Total Hardness	20006948	1	
8	Installation kit- Spirit level	30015135	1	
9	Water supply hose	30001162	1	
10	Drain Hose 2M	60003759	1	
11	Hook for drain hose	30006231	1	
12	M20 Cable gland	30001815	1	
13	J Clip (20-32) W2-12mm with Posi Drive	30018878	2	
14	Bottle weight kit	30012370	2	
15	Rinse Aid Sticker (English/German)		1	Not available as a spare
16	Detergent Sticker (English/German)		1	Not available as a spare
17	Sales Kit - Chemical Lances	30018975	1	
18	435x435 basket adapter frame	30018998	1	For Australia / New Zealand (Not Shown)

16. Deep Door – Parts



90002043-B

16. Deep Door - Parts

Item	Description	Part number	QTY.	Note
1	Deep Door - UC2023	30018904	1	
2	Sales Kit - Magnet [UC]	30022863	1	Includes fixings
3	Door Hinge cap	30018098	2	
4	Sales Kit - Hinge Guide	30018801	2	Includes fixings
5	Sales Kit - Hinge Pivot with boss	30019013	2	Includes fixings
6	Deep Door Ball catch - M12 (Grease)	30014600	1	
7	M12 Thin nut	30001070	1	

17. Mains cable

Item	Description	Part number	QTY.	Note
1	Sales Kit – 13A mains cable - [UK]	30003306	1	
2	Sales Kit – 15A mains cable - [AU]	30012774	1	
3	Sales Kit – 16A mains cable - [EU]	30012775	1	
4	Sales Kit – 30A mains cable - [3G4] - UC	30012385	1	
5	Sales Kit – 3 Phase mains cable - [5G2.5]	30014548	1	
6	Sales Kit – 3 Phase mains cable - [4G2.5]	30014550	1	

18. Fastener kit

Item	Description	Part number	QTY.	Note
1	M5 Thin Nylock nut (ISO 10511)		5	Available with Fastener Kit
2	M3 Thin Nylock nut (ISO 10511)		5	Available with Fastener Kit
3	M3x8 Pozi Pan screw A4		5	Available with Fastener Kit
4	M6x20 pozi CSK Screw A4		4	Available with Fastener Kit
5	M6x12 pozi pan screw A4		4	Available with Fastener Kit
6	M4 x 10mm Posi pan head screw		15	Available with Fastener Kit
7	M4 Nylock nut (ISO 7040)		5	Available with Fastener Kit
8	M12 Thin nut		2	Available with Fastener Kit
9	M5 Flange nut (DIN 6923)		25	Available with Fastener Kit
10	M3 Flange nut (DIN 6923)		5	Available with Fastener Kit
11	M5 x 50 hex head screw (ISO 4017)		4	Available with Fastener Kit
12	2.5x10mm PT screw		5	Available with Fastener Kit
13	3.5x10mm posi pan head PT screw		5	Available with Fastener Kit
14	M5 x10mm Posi Head Screw		15	Available with Fastener Kit

19. 60hz Variant

Item	Description	Part number	QTY.	Note
1	Wash Pump Assembly 60hz	30018136	1	
2	Rinse pump Assembly 60hz	30018596	1	
3	Drain Pump 60hz	30018600	1	