



# Spares manual

---

## **C500 WS**

90001710

Revision: E

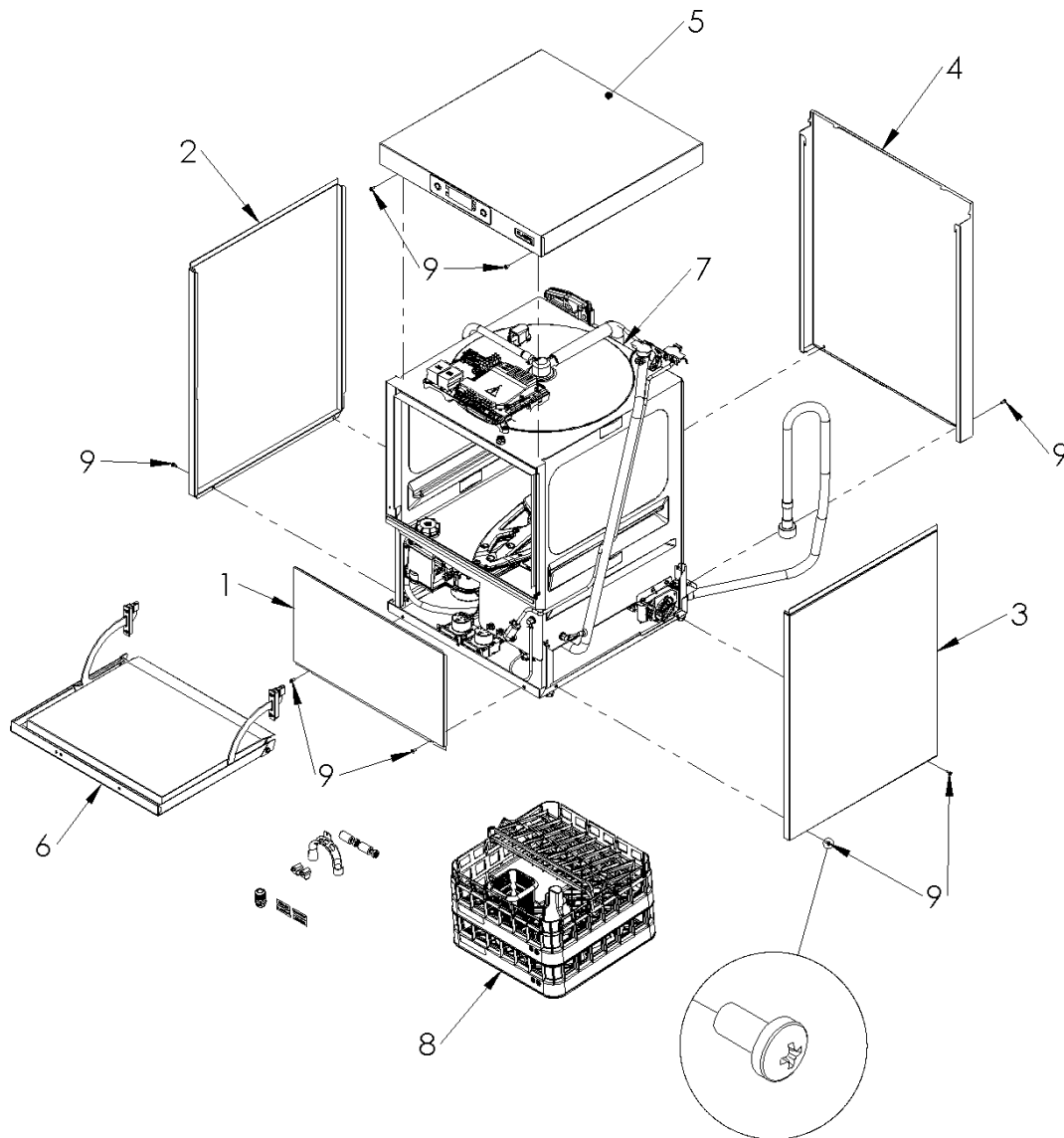
05/11/2025



# Table of contents for C500 WS

<b>C500 WS</b> .....	<b>1</b>
<b>1. Machine assembly</b> .....	<b>4</b>
<b>2. Top panel assembly (30018799)</b> .....	<b>6</b>
<b>3. Door Parts Assembly</b> .....	<b>8</b>
<b>4. Frame Assembly</b> .....	<b>10</b>
<b>5. Cabinet Parts Assembly</b> .....	<b>12</b>
<b>6. Filtration</b> .....	<b>14</b>
<b>7. Fill System</b> .....	<b>16</b>
<b>8. Water Softener Unit (83000420)</b> .....	<b>18</b>
<b>9. Boiler Assembly (30022878)</b> .....	<b>20</b>
<b>10. Wash Rinse &amp; Drain System</b> .....	<b>22</b>
<b>11. Sump Assembly</b> .....	<b>24</b>
<b>12. Base assembly</b> .....	<b>26</b>
<b>13. Rinse Aid pump assembly (30018088)</b> .....	<b>28</b>
<b>14. Detergent pump assembly (30018087)</b> .....	<b>30</b>
<b>15. Control Assembly</b> .....	<b>32</b>
<b>16. UC Accessories</b> .....	<b>34</b>
<b>17. Deep Door - Parts</b> .....	<b>36</b>
<b>18. Mains cable</b> .....	<b>38</b>
<b>19. Fastener Kit (30018806)</b> .....	<b>38</b>
<b>20. 60Hz Variant</b> .....	<b>38</b>

# 1. Machine assembly

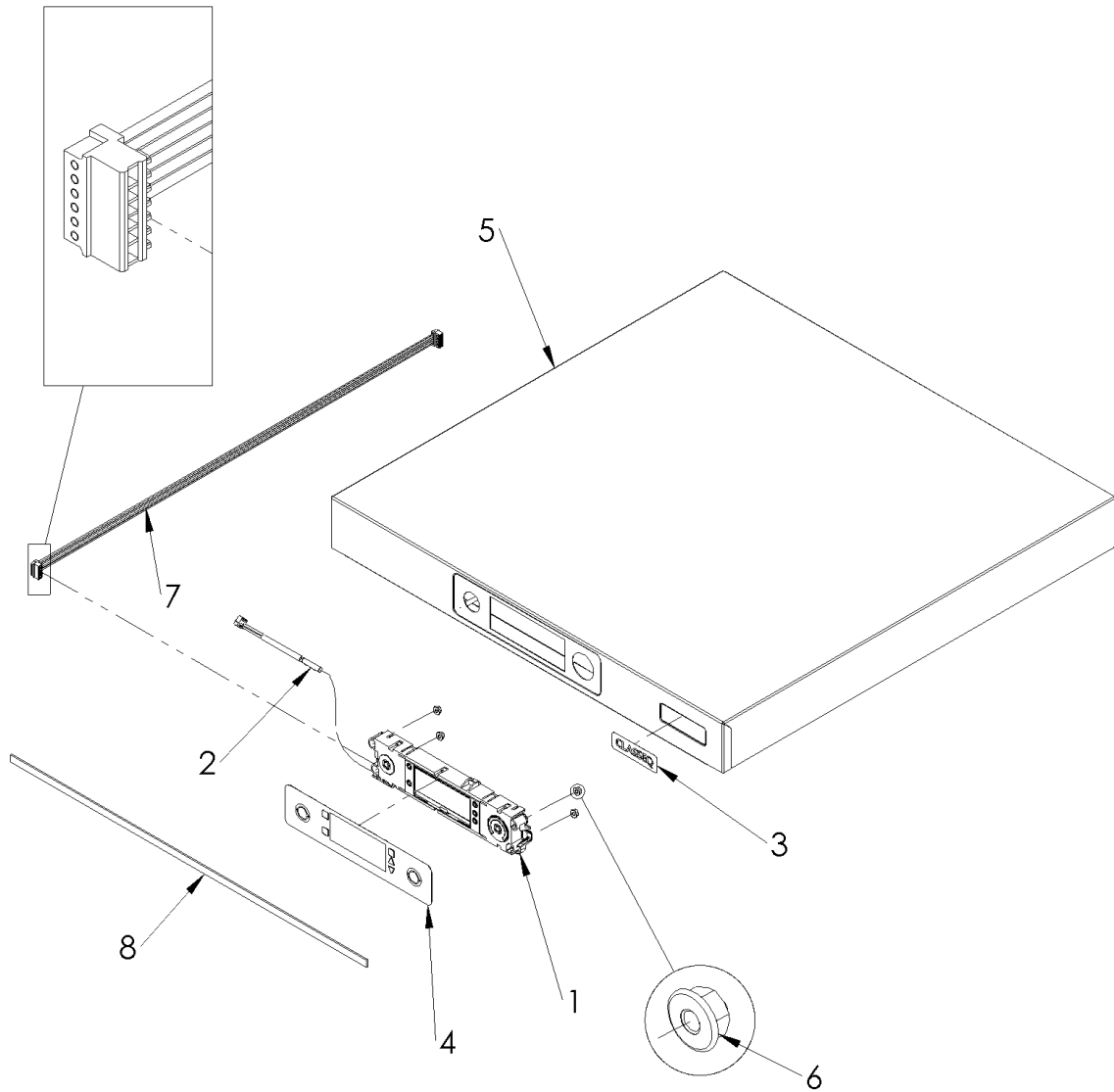


90001618-A

## 1. Machine assembly - BOM

Item	Description	Part number	QTY.	Note
1	Front Panel 500mm	30018062	1	
2	Side Panel Left 500mm	30018063	1	
3	Side Panel right 500mm	30018064	1	
4	Rear Panel 500mm	30018065	1	
5	500mm Top panel Assembly Spares	30018799	1	
6	Door Parts Assembly 500mm		1	Further Part breakdown of assembly available in Manual
7	Frame Assembly		1	Further Part breakdown of assembly available in Manual
8	UC Accessories - 500		1	
9	M5 x10mm Posi Head Screw		10	Available with Fastener Kit

## 2. Top panel assembly (30018799)

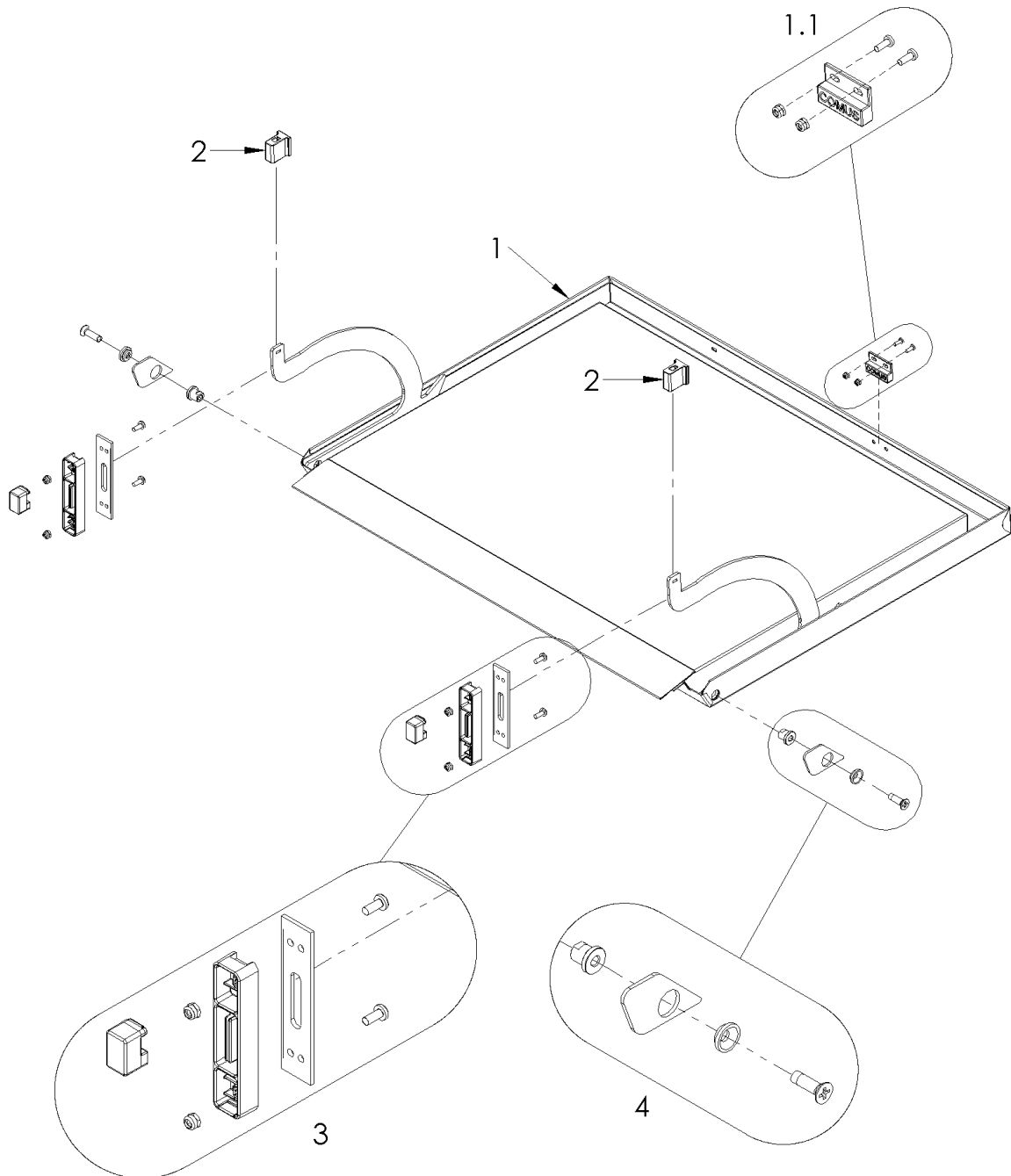


30018799-A

## 2. Top Panel assembly – BOM

Item	Description	Part number	QTY.	Note
1	Display Unit (Programmed)	30018917	1	
2	Door switch	30018123	1	
3	CLASSEQ badge	30018290	1	
4	Fascia	30018124	1	
5	Top Panel 500mm		1	Not available as a spare
6	M5 Thin Nylock nut (ISO 10511)		4	Available with Fastener Kit
7	UI Harness	30017998	1	
8	Foam seal	30011418	1	

### 3. Door Parts Assembly

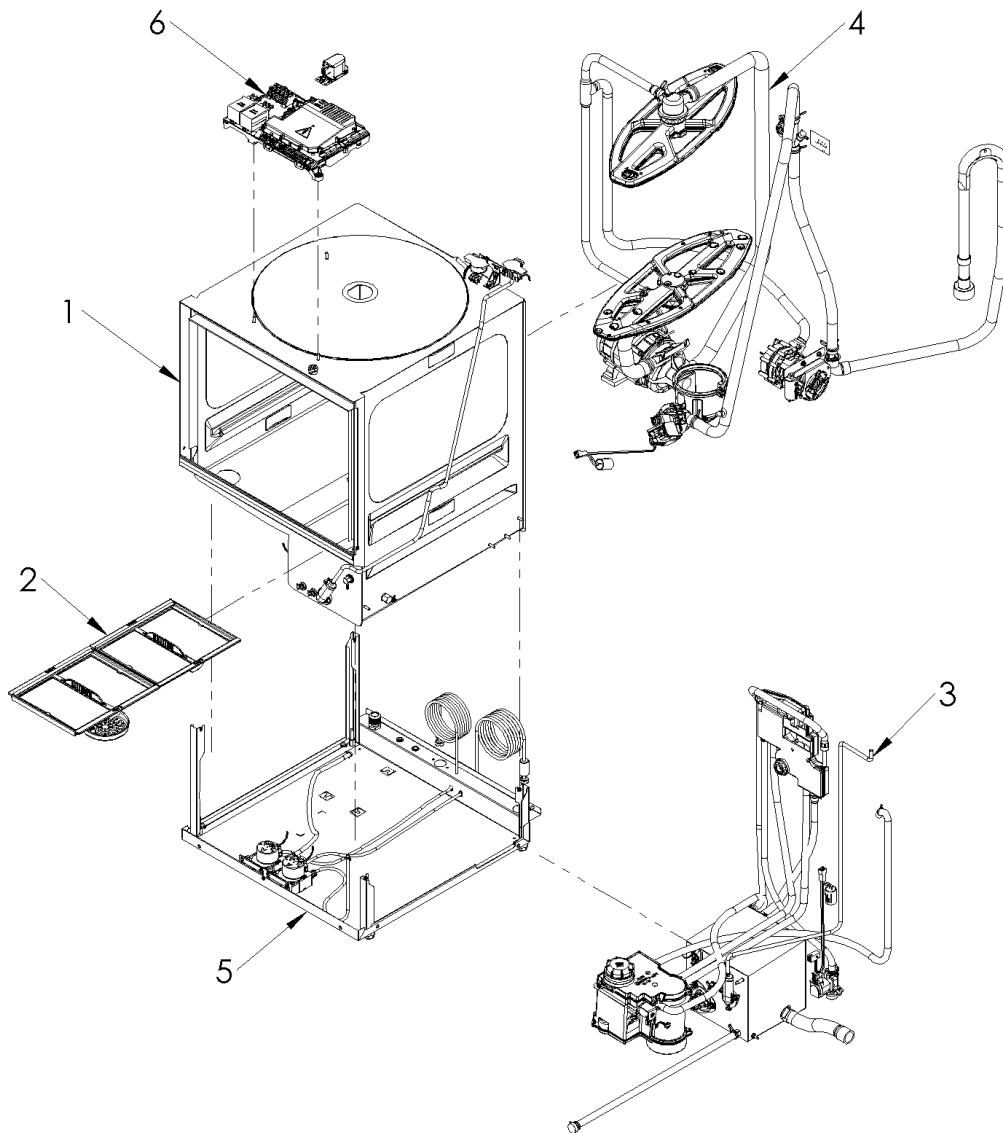


90001610-D

### 3. Door Parts Assembly – BOM

Item	Description	Part number	QTY.	Note
1	500mm Door Assembly Spares	30018800	1	
1.1	Sales Kit - Magnet [UC]	30022863	1	Includes fixings
2	Door Hinge cap	30018098	2	
3	Sales Kit - Hinge Guide	30018801	2	Includes fixings
4	Sales Kit - Hinge Pivot with boss	30019013	2	Includes fixings

## 4. Frame Assembly



90001619-B

#### 4. Frame Assembly – BOM

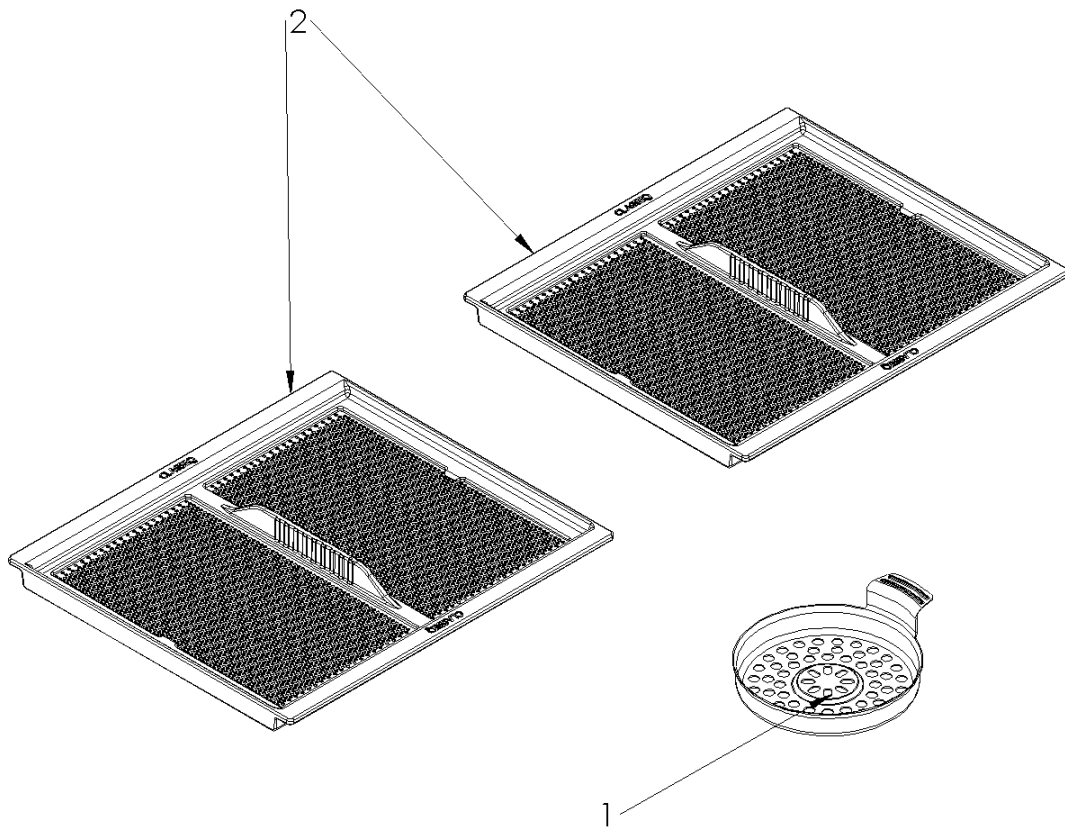
Item	Description	Part number	QTY.	Note
1	Cabinet Assembly WS 500mm		1	Further Part breakdown of assembly available in Manual
2	Filtration 500mm		1	Further Part breakdown of assembly available in Manual
3	Fill System WS 500mm		1	Further Part breakdown of assembly available in Manual
4	Wash Rinse Drain System 500mm		1	Further Part breakdown of assembly available in Manual
5	Base Assembly 500mm		1	Further Part breakdown of assembly available in Manual
6	Control Assembly		1	Further Part breakdown of assembly available in Manual



## 5. Cabinet Parts Assembly – BOM

Item	Description	Part number	QTY.	Note
1	Wash Element Retaining Bracket	30006126	1	
2	Wash Element 2kW	30018105	1	Includes 2x Washers & 2x M12 fine thread thin nut
3	Ball catch - M12	30001064	1	
4	M12 Thin nut	30001070	1	
5	Detergent inlet fitting	30011822	1	
6	Air Pressure Sensor - Plastic Mount	60004493	1	
7	Sales Kit - Pressure Sensor	30019017	2	Includes fixings
8	Foam seal	30011418	1	
9	Cabinet 500mm WS		1	Not available as a spare
10	Sales Kit - Thermo sensor	30002179	1	
11	Kit air pressure chamber	60003525	1	
12	KIT MACRO-MODULE PLUG SIZE 2,5 3-POLE	30000198	2	
13	KIT MACRO-MODULE PLUG SIZE 2,5 2-POLE	30000197	1	
14	M5 Flange nut (DIN 6923)		2	Available with Fastener Kit
15	Wash element fibre washer 19mmx3mm	30014272	2	
16	Wash tube [APS] (400/500)	30014330	1	
17	Sales Kit - 85°C thermal cut-out	30019016	1	Includes fixings
18	Spring clip - Ø8.8mm to Ø9.3mm		2	
19	Sales Kit - Recirculation Vent	30022825	1	Includes fixings & seal

## 6. Filtration

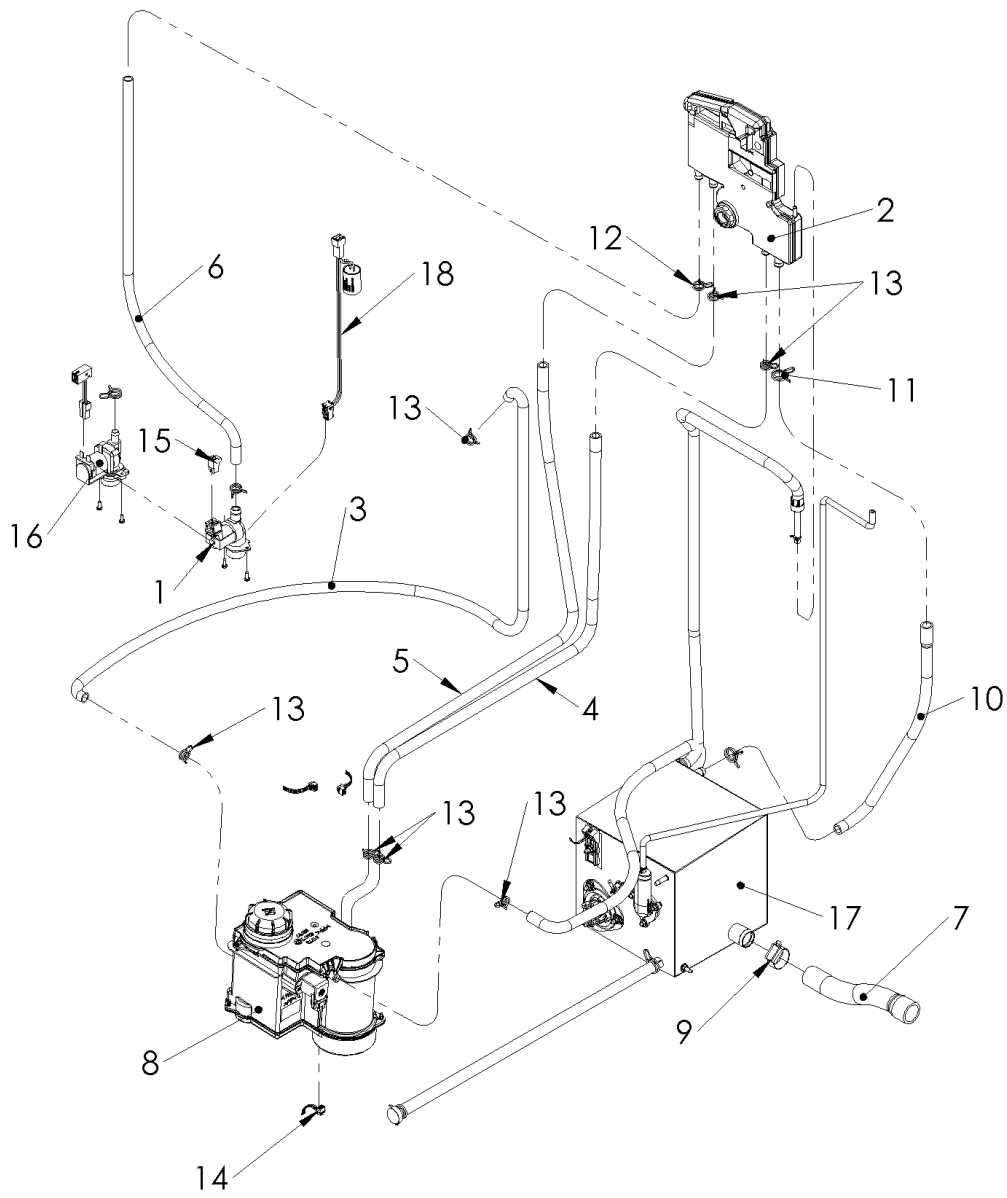


90001616-A

## 6. Filtration - BOM

Item	Description	Part number	QTY.	Note
1	Secondary Filter Stainless steel	30017864	1	
2	Filter assembly 500mm	30017901	2	

## 7. Fill System

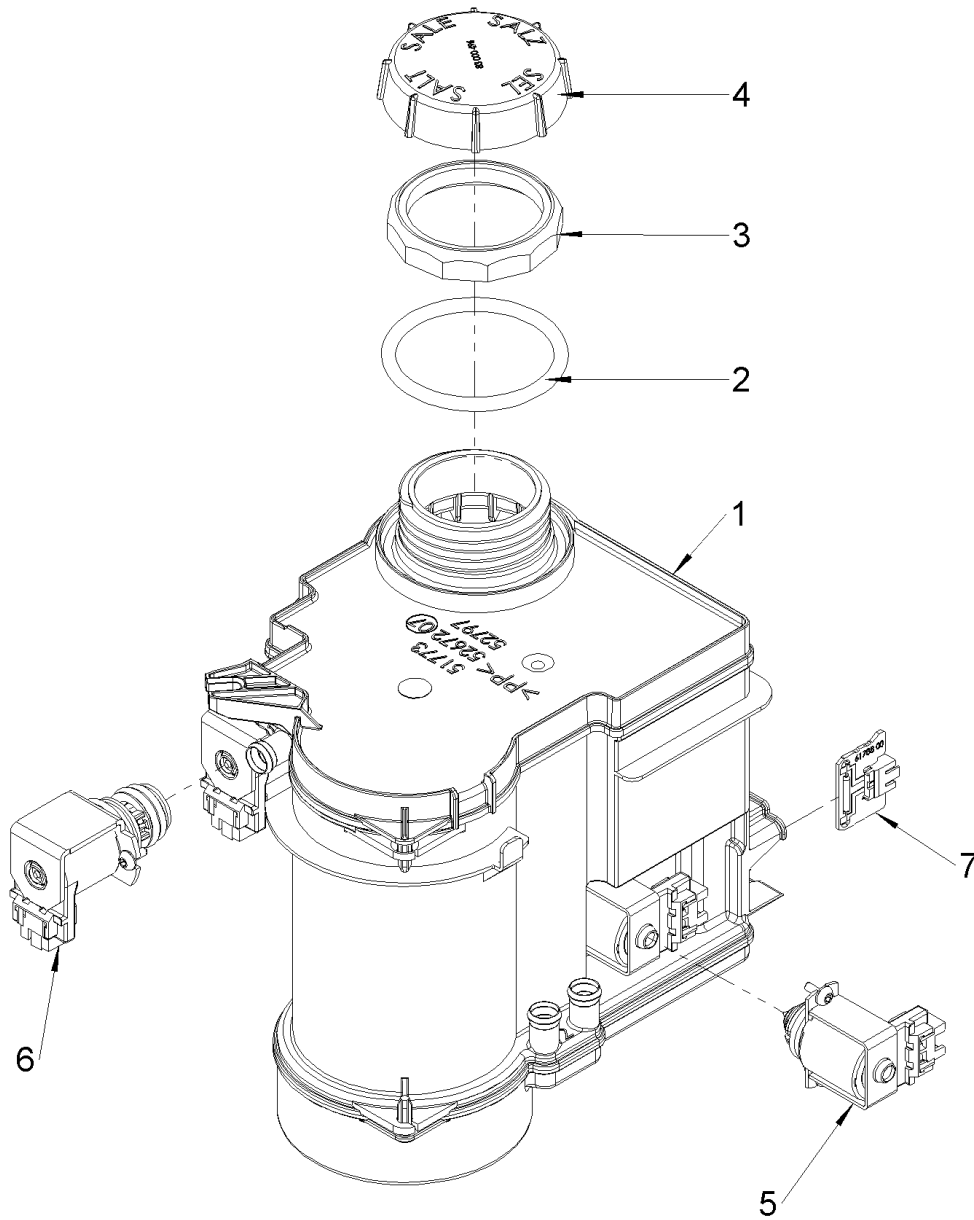


90001612-D

## 7. Fill System – BOM

Item	Description	Part number	QTY.	Note
1	Sales Kit - Solenoid Valve [4 Ltr /min]	30019018	1	Includes fixings
2	Sales Kit - Air Break [WS]	30019025	1	Includes seal and nut
3	WS Port 6 Hose 500mm	30017981	1	
4	Hose - Port 2 - 500	30017972	1	
5	Hose - Port 3 - 500	30017969	1	
6	Hose - Solenoid to AB - 500	30018101	1	
7	Rinse Inlet Hose 500mm	30017983	1	
8	Water softener kit	83000420	1	
9	J Clip (20-32) W2-12mm with Posi Drive		1	
10	Hose - Breather - 500	30017973	1	
11	Spring clip - Ø17.3mmx1.8		3	
12	Spring clip - Ø14mmx1.5		1	
13	Spring clip - Ø12.8mm to Ø15mm		7	
14	KIT MACRO-MODULE PLUG SIZE 2,5 3-POLE	30000198	3	
15	MACRO-MODULE PLUG5, 2-POLE	3112091	1	
16	Sales Kit - Solenoid Valve [4 L /min] AU / NZ	30019015	1	Includes fixings
17	Sales Kit - Boiler Assembly [C500 (WS)]	30022878	1	
18	Suppressor - Kit	60004356	1	

## 8. Water Softener Unit (83000420)

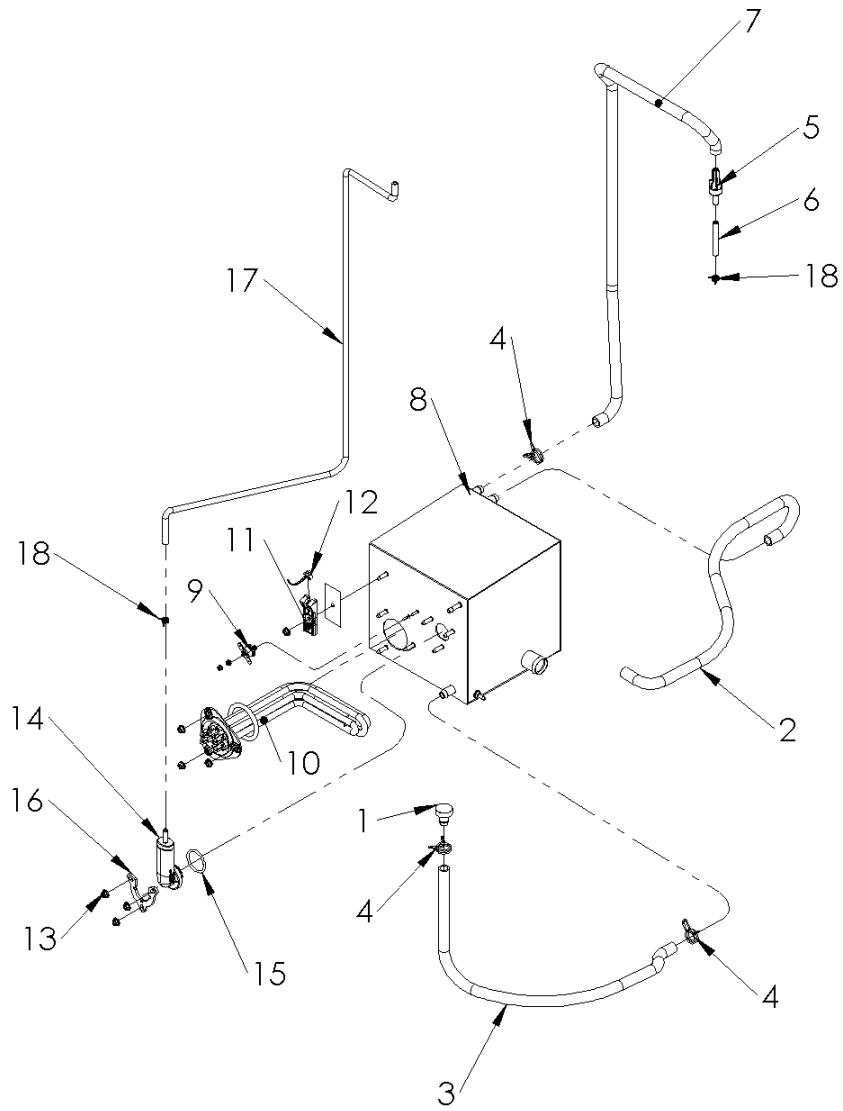


83000420-A

## 8. Water Softener Unit – BOM

Item	Description	Part number	QTY.	Note
1	Water softener 220-240V		1	
2	O-ring - Ø56 x Ø5	2707065	1	
3	LOCK NUT	60003001	1	
4	Salt reservoir cap	60004894	1	
5	Repair kit Regeneration valve	83000402	1	
6	Repair kit reversing valve	83000460	1	
7	Salt recognition reed contact	83000408	1	

## 9. Boiler Assembly (30022878)

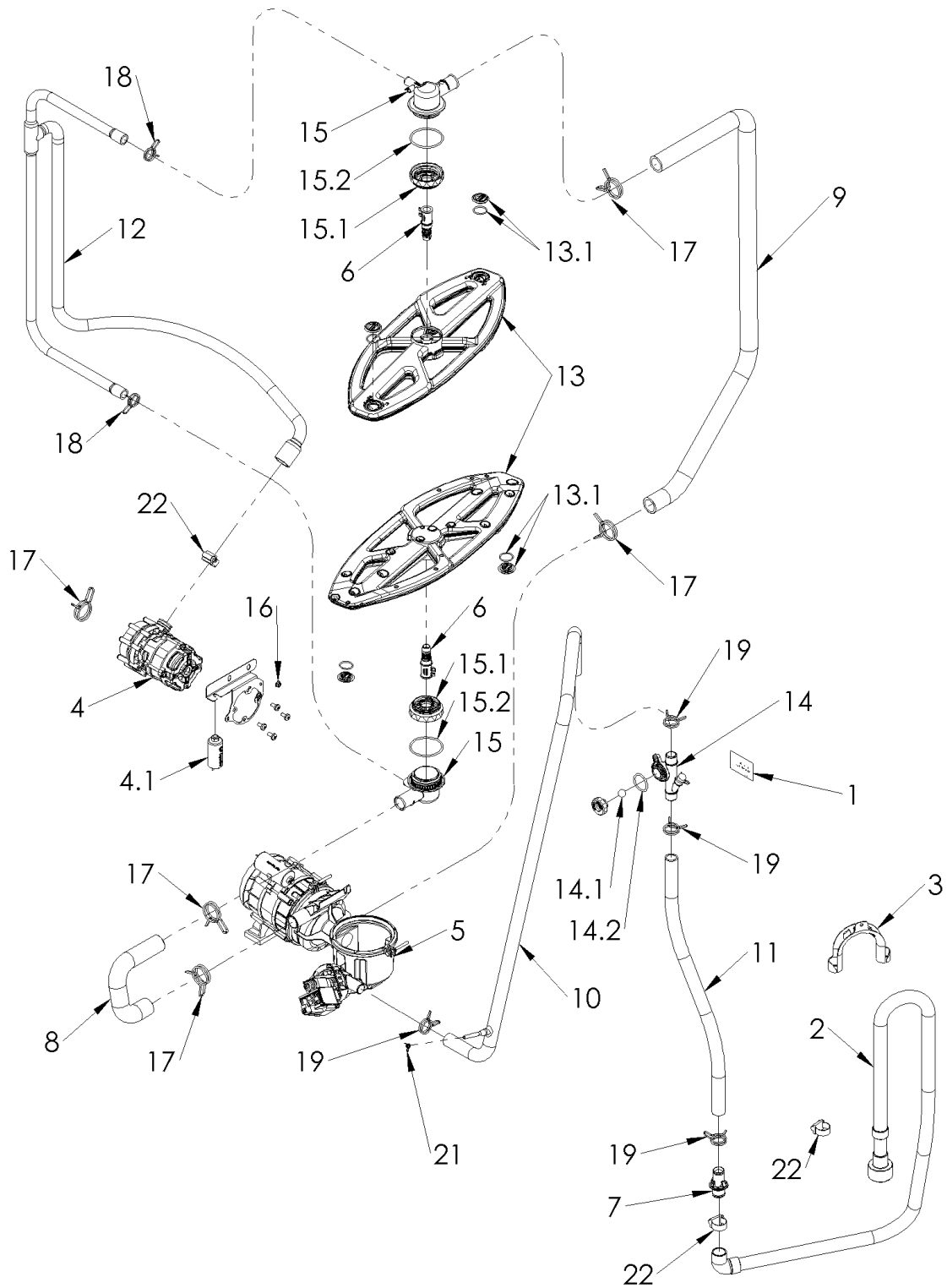


30022878-A

## 9. Boiler Assembly – BOM

Item	Description	Part number	QTY.	Note
1	Tube plug	70007962	1	
2	Port 5 Hose 500mm	30017979	1	
3	Hose - Boiler Drain - 500	30017966	1	
4	Spring clip - Ø17.3mmx1.8		3	Available with Fastener Kit
5	Vent - Pipe adapter (10mm - 6mm)	30022457	1	
6	Hose - Vent	30022484	1	
7	Hose - 500 breather	30022483	1	
8	Rinse Boiler - 6.5Ltr		1	Not available as a spare
9	Sales Kit - 95°C thermal cut-out	30019020	1	Includes fixings
10	Sales Kit - 6kW Heating Element	30019021	1	Includes fixings & seal
11	Sales Kit - Thermo sensor	30002179	1	
12	KIT MACRO-MODULE PLUG SIZE 2,5 2-POLE	30000197	1	
13	M5 Flange nut (DIN 6923)		4	Available with Fastener Kit
14	Air pressure vessel assembly	60004730	1	
15	O-ring - Ø30mmx3mm	30012629	1	
16	Bracket - APS Rinse	30022481	1	
17	Hose - APS Rinse	30022793	1	
18	Spring clip - Ø8.8mm to Ø9.3mm		2	Available with Fastener Kit

# 10. Wash Rinse & Drain System

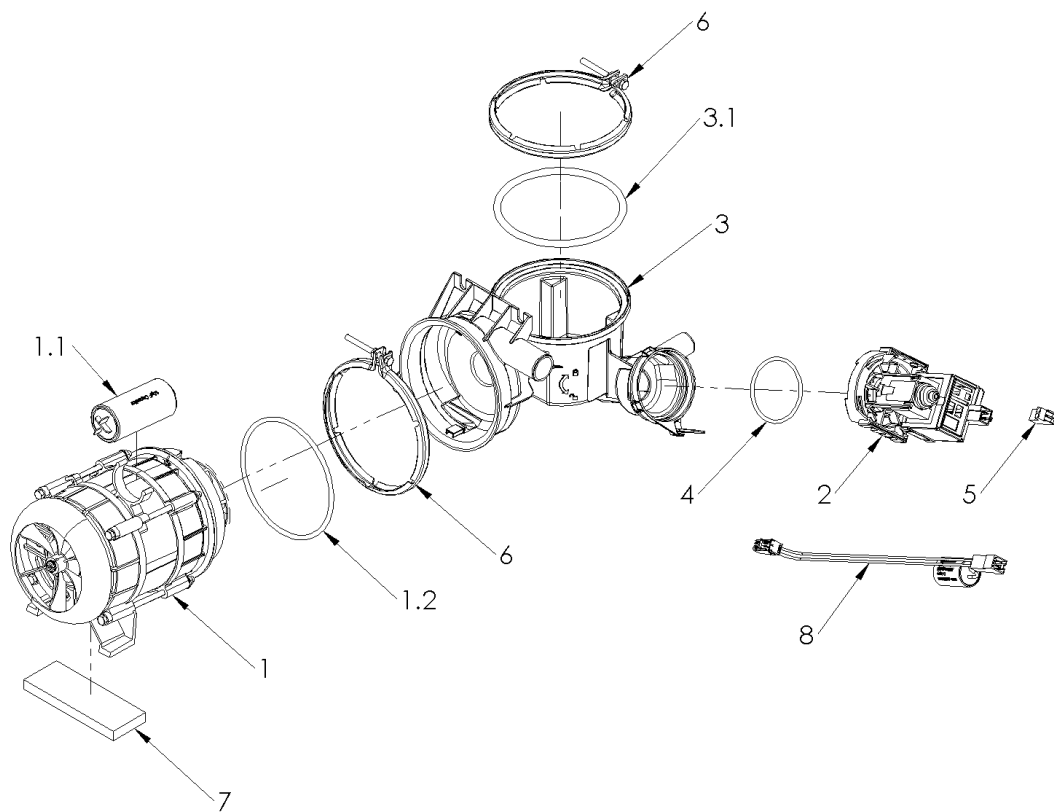


90001615-C

## 10. Wash Rinse & Drain System – BOM

Item	Description	Part number	QTY.	Note
1	Drain height sticker		1	
2	Drain Hose 2M	60003759	1	
3	Hook for drain hose	30006231	3	
4	Rinse Pump Assembly 50hz	30018085	1	
4.1	4 $\mu$ F Capacitor	30011584	1	Includes washer & nut
5	Sump Assembly		1	Further part breakdown of assembly available in Manual
6	Wash field Spindle	60003169	2	
7	Drain Double Nipple	60004609	1	
8	Wash Outlet Hose Bottom 500mm	30017991	1	
9	Wash outlet Hose top 500mm	30017990	1	
10	Drain Outlet Hose 500mm	30017980	1	
11	Drain Outlet Antisyphon 500mm	30017985	1	
12	Rinse Outlet Hose 500mm	30017989	1	
13	Wash & Rinse Arm - 500	61007407	2	
13.1	Wash Arm - Plug	60004854	4	
14	Sales Kit - Drain anti-syphon assembly	30019002	1	
14.1	Drain Air break Ball	2801508	1	
14.2	O-ring - Ø30mmx3mm	30012629	1	
15	Centre boss Kit	30018804	2	
15.1	Locking Nut - Centre Boss	60004870	1	
15.2	O-Ring [56 X 3,0]	30014174	1	
16	M5 Flange nut (DIN 6923)		2	Available with Fastener Kit
17	Spring Clip D32,7 X 2,8	2802362	4	
18	Spring Clip D21,2 X 2,0	2802355	2	
19	Wire Hose Clip (D24.2 x 2.2)	2802358	4	
20	Spring Clip D35,0 X 3,0	2802364	1	
21	Spring clip - Ø6.6mm to Ø7mm	30011995	1	
22	J Clip (20-32) W2-12mm with Posi Drive	30018878	1	

## 11. Sump Assembly

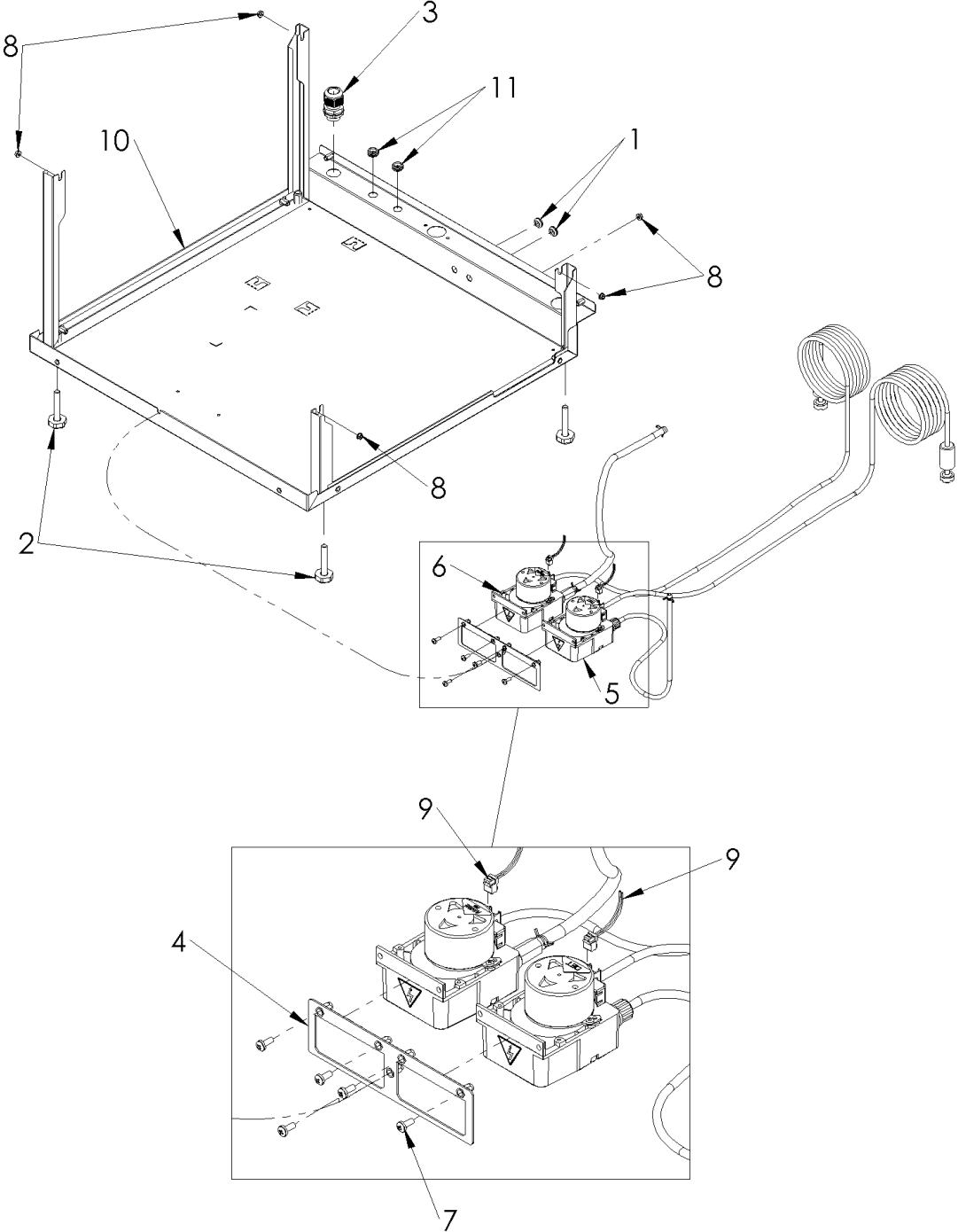


90001787-E

## 11. Sump Assembly

Item	Description	Part number	QTY.	Note
1	Sales Kit - Wash Pump [50Hz]	30019153	1	
1.1	10 $\mu$ F Capacitor	30002509	1	Includes washer & nut
1.2	O-ring 105 x4	30018094	1	
2	Drain Pump 50hz	30018090	1	
3	Sump kit	30018803	1	
3.1	O-ring 104 x6 EPDM60	30018095	1	
4	Drain pump O-RING	30018814	1	
5	MACRO-MODULE PLUG5, 2-POLE	3112091	1	
6	Sales Kit - V Band	30019022	2	Includes fixings
7	Foam Pad - Wash Pump	30018911	1	
8	Suppressor - Kit	60004356	1	

# 12. Base assembly

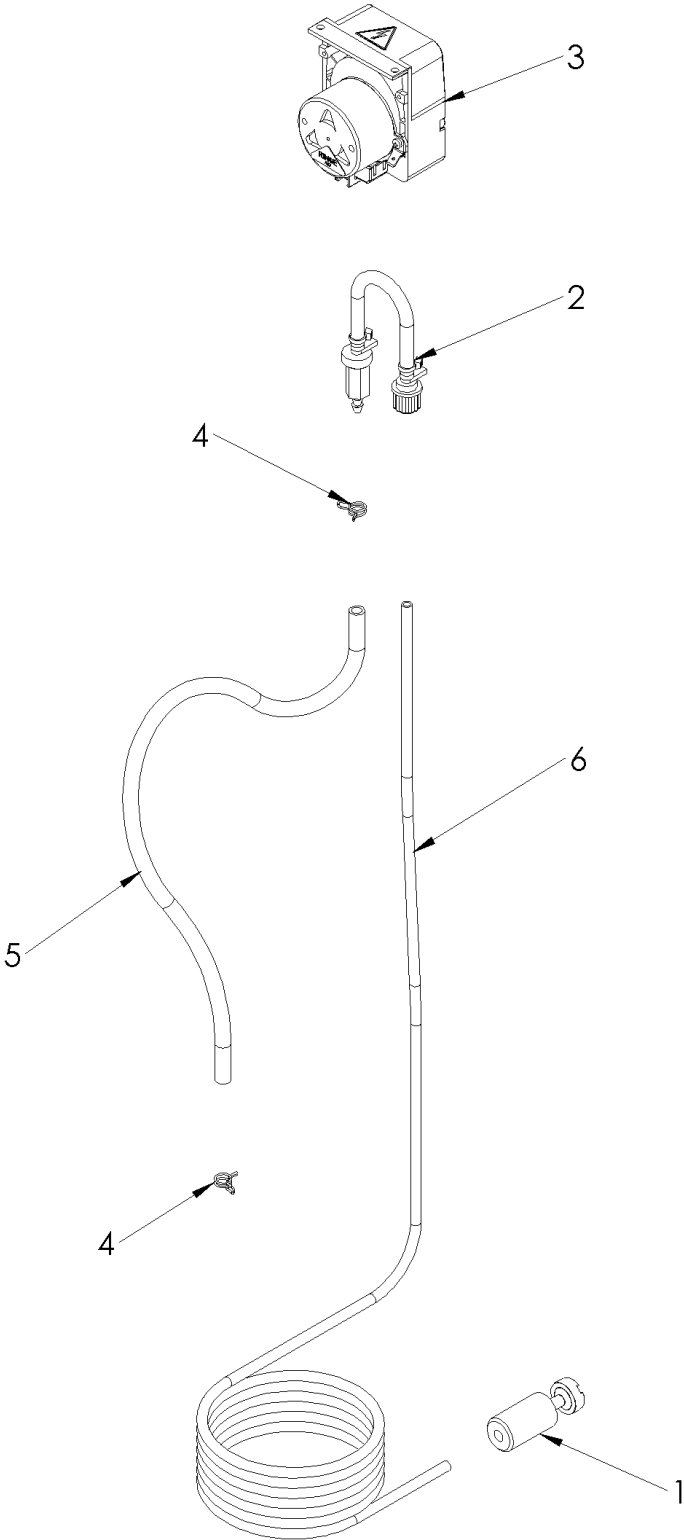


90001611-B

## 12. Base assembly -BOM

Item	Description	Part number	QTY.	Note
1	Chemical tube grommet	30002141	2	
2	Adjustable Foot	62003652	4	
3	M20 Cable gland	30001815	1	
4	Chemical Pump Bracket	30018046	1	
5	Detergent Pump Assembly	30018087	1	
6	Rinse Aid Pump Assembly	30018088	1	
7	M4 x 10mm Posi pan head screw		5	Available with Fastener Kit
8	M4 Flange nut (DIN 6923)		5	Available with Fastener Kit
9	KIT MACRO-MODULE PLUG SIZE 2,5 2-POLE	30000197	2	
10	Base Assembly - 500		1	Not available as a spare
11	Blanking Grommet (12.5mm)	30019184	2	

**13. Rinse Aid pump assembly (30018088)**

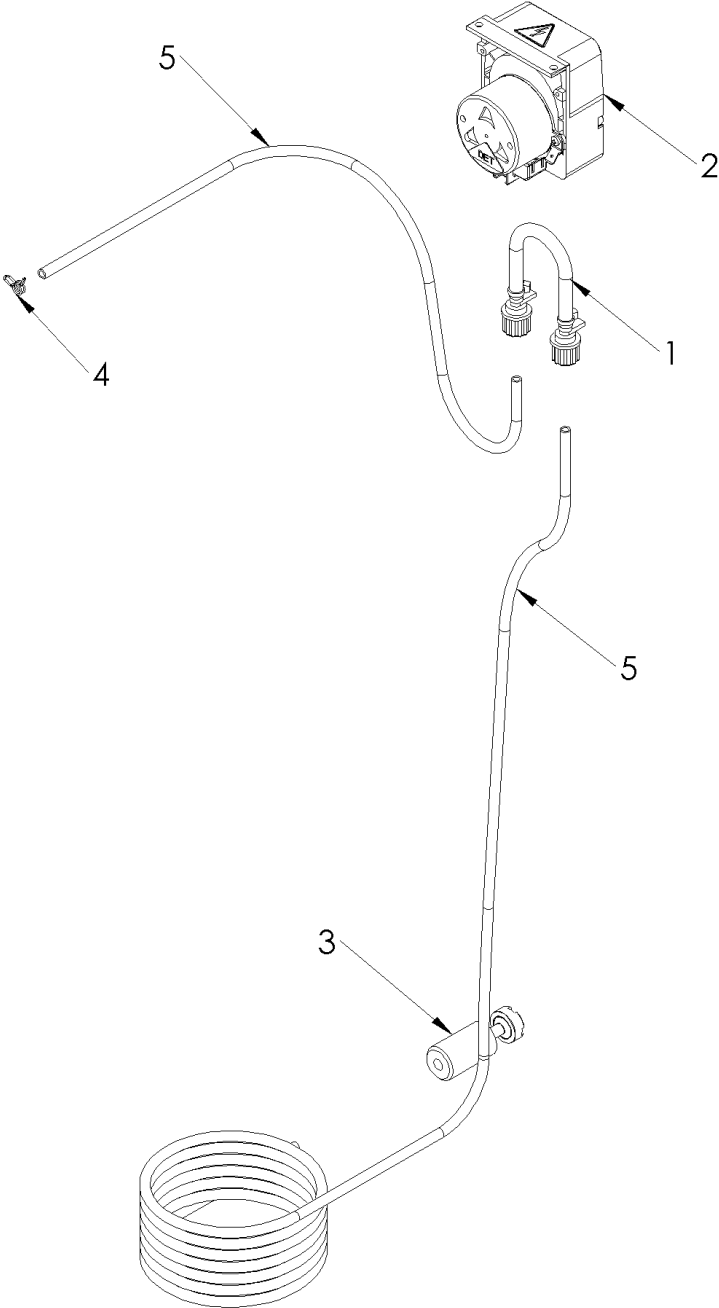


30018088-B

### 13. Rinse Aid pump assembly – BOM

Item	Description	Part number	QTY.	Note
1	Bottle weight kit	30012370	1	
2	Rinse aid peristaltic tube assembly	30012415	1	
3	Rinse Aid Housing		1	
4	Spring clip - Ø8.8mm to Ø9.3mm	30011994	2	
5	Rinse aid outlet tube	30012414	1	
6	Rinse aid inlet tube	30008385	1	

**14. Detergent pump assembly (30018087)**

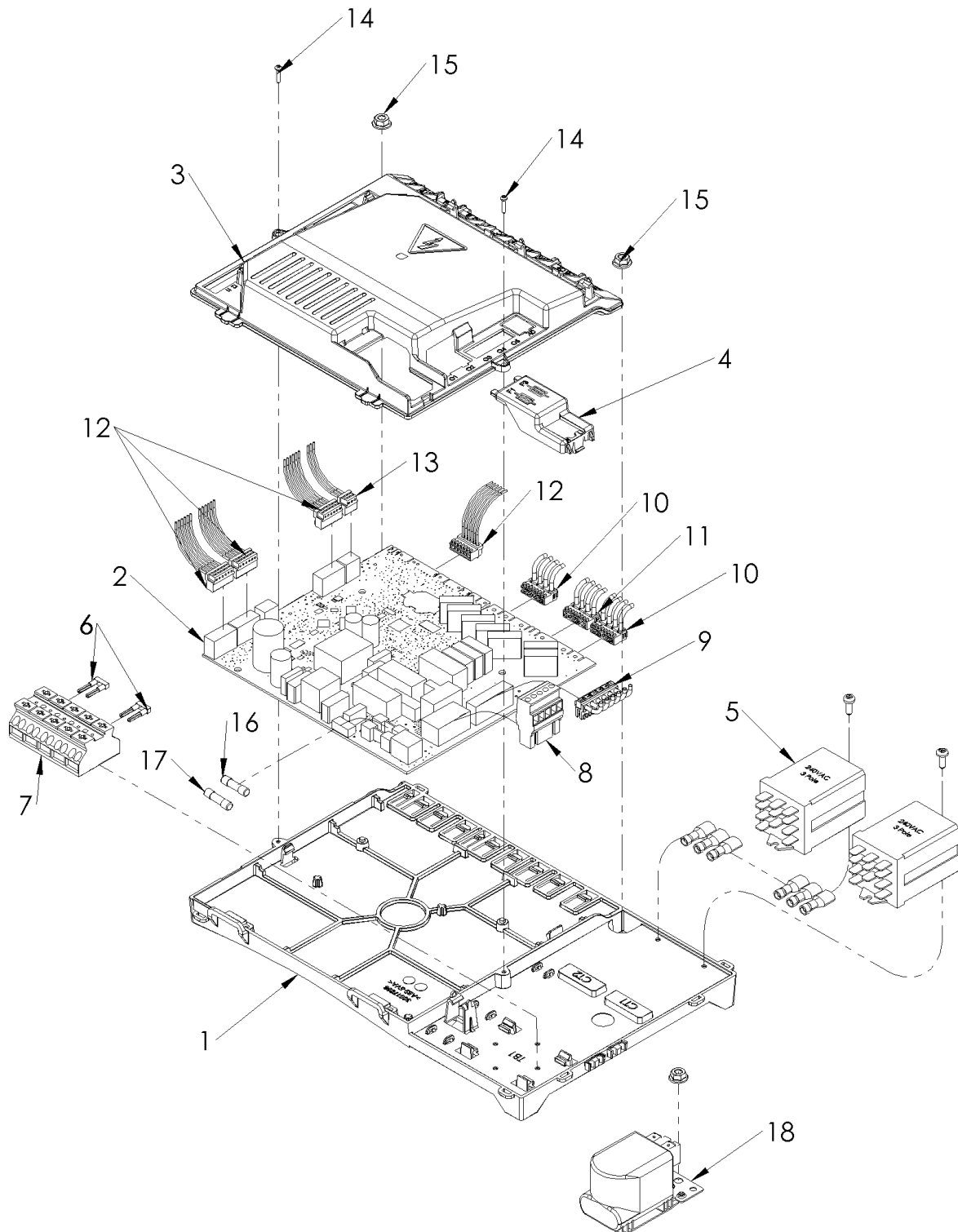


30018087 - B

## 14. Detergent pump assembly - BOM

Item	Description	Part number	QTY.	Note
1	DET Internl tube Asembly	30018812	1	
2	Det Pump Housing		1	
3	Bottle weight kit	30012370	1	
4	Spring clip - Ø6.6mm to Ø7mm	30011995	1	
5	Detergent inlet tube	30008386	1	

## 15. Control Assembly

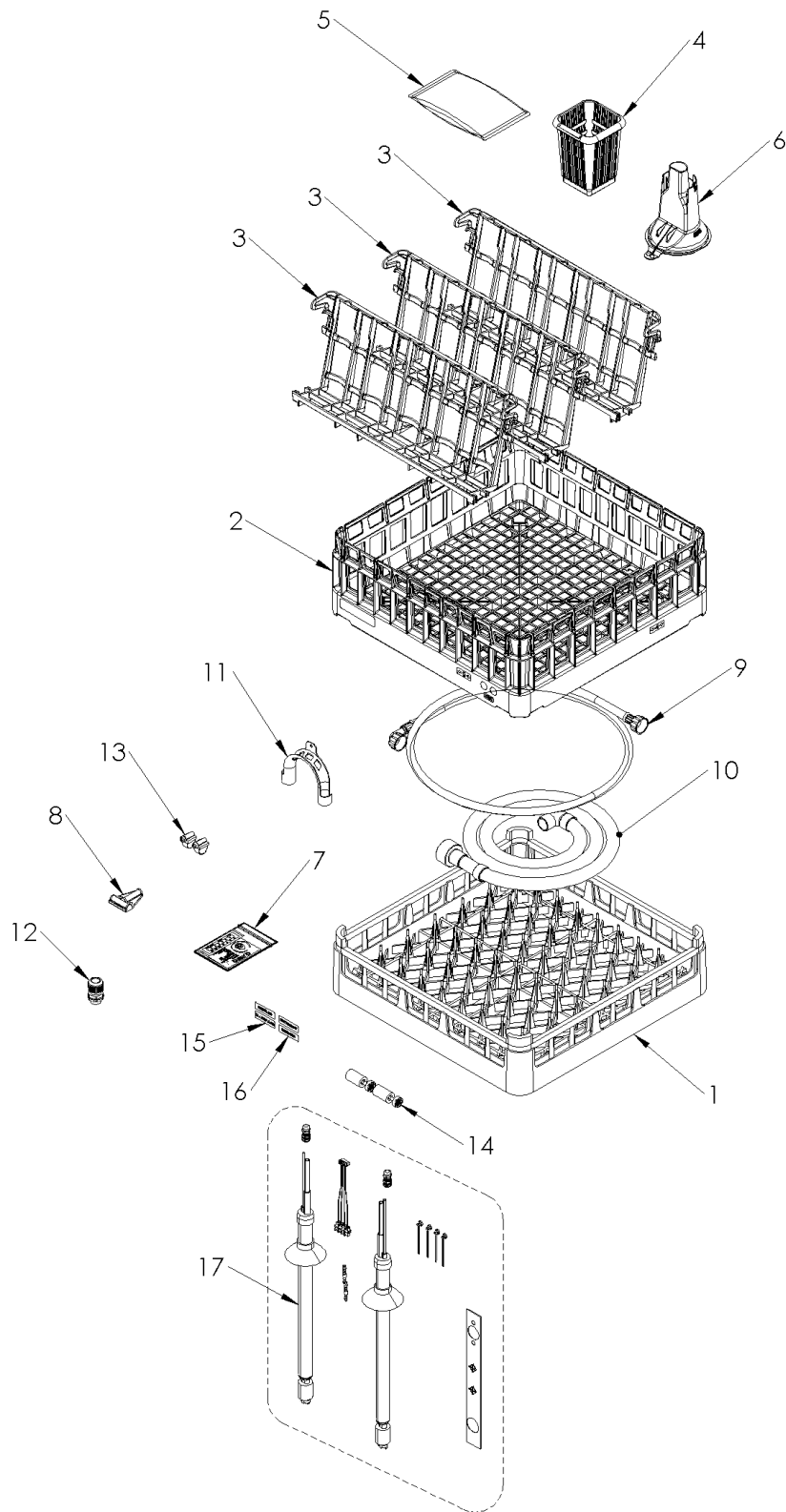


90001614-C

## 15. Control Assembly – BOM

Item	Description	Part number	QTY.	Note
1	PCB Enclosure - Base	30017898	1	
2	Control Board (Rest of the World)	30018818	1	
2	Control Board (AU)	30022422	1	For Australia / New Zealand
3	PCB Enclosure - Cover	30017900	1	
4	PCB Enclosure - Fuse Cover	30017899	1	
5	Sales Kit - 3 Pole Relay	30019024	2	Includes fixings
6	WAGO 5 pole jumping bar	30008142	1	Refer to wiring diagram for quantity
7	Terminal Block - 5 Pole - Grip Type	30001146	1	30A and 3 phase machines
8	Marco Module Plug5, 5Pole	30002002	1	
9	Module Plug (Size 5,0 / 6Pole)	30014140	1	
10	Module Plug (Size 5,0 / 4Pole) Type B	30014138	1	
11	Module Plug (Size 5,0 / 4Pole) Type A	30014137	1	
12	KIT MACRO-MODULE PLUG SIZE 2,5 6-POLE	30002484	1	
13	KIT MACRO-MODULE PLUG SIZE 2,5 3-POLE	30000198	1	
14	2.5x10mm PT screw	30011824	2	Available with Fastener Kit
15	M5 Flange nut (DIN 6923)		2	Available with Fastener Kit
16	Fuse 16A	30018557	1	
17	Fuse 2.5A	30018556	1	
18	Sales Kit - Mains Filter	30019023	1	Includes fixings

## 16. UC Accessories

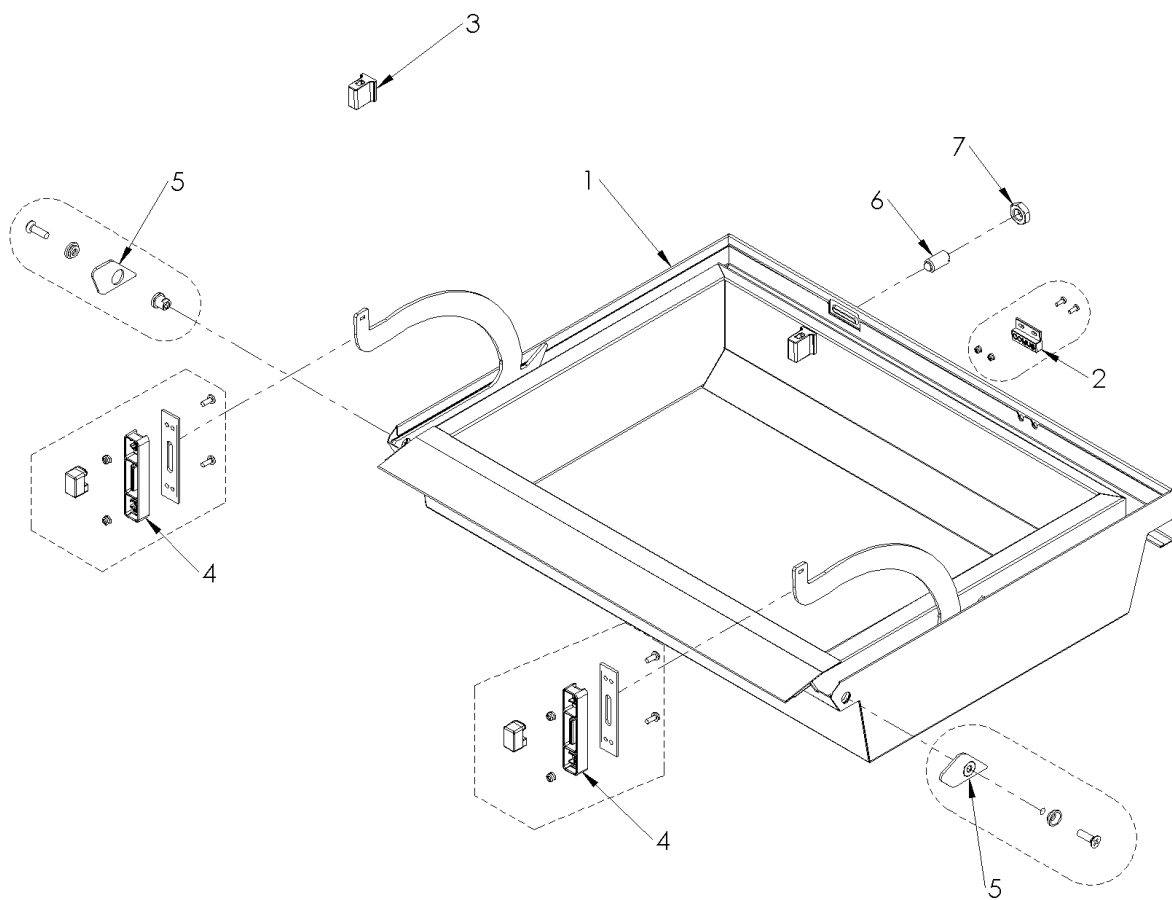


90001788-B

## 16. UC Accessories - BOM

Item	Description	Part number	QTY.	Note
1	500mm <sup>2</sup> dish basket	30001198	1	
2	Tall Glass Basket - 500	30013206	1	
3	Glasrelax insert GR 500	30018551	3	
4	CBS Cutlery holder	30001167	1	
5	25Kg Salt Granular	2005166	1	
6	UC_Salt Funnel	30017897	1	For Unit with Inbuilt Water softener only
7	Water Testing Kit - Total Hardness	20006948	1	
8	Installation kit- Spirit level	30015135	1	
9	Water supply hose	30001162	1	
10	Drain Hose 2M	60003759	1	
11	Hook for drain hose	30006231	1	
12	M20 Cable gland	30001815	1	
13	J Clip (20-32) W2-12mm with Posi Drive	30018878	2	
14	Bottle weight kit	30012370	2	
15	Rinse Aid Sticker (English/German)		1	Not available as a spare
16	Detergent Sticker (English/German)		1	Not available as a spare
17	Sales Kit - Chemical Lances	30018975	1	
18	435x435 basket adapter frame	30018998	1	For Australia / New Zealand (Not Shown)

## 17. Deep Door - Parts



90002043-B

## 17. Deep Door - Parts

Item	Description	Part number	QTY.	Note
1	Deep Door - UC2023	30018904	1	
2	Sales Kit - Magnet [UC]	30022863	1	Includes fixings
3	Door Hinge cap	30018098	2	
4	Sales Kit - Hinge Guide	30018801	2	Includes fixings
5	Sales Kit - Hinge Pivot with boss	30019013	2	Includes fixings
6	Deep Door Ball catch - M12 (Grease)	30014600	1	
7	M12 Thin nut	30001070	1	

## 18. Mains cable

Item	Description	Part number	QTY.	Note
1	Sales Kit – 13A mains cable - [UK]	30003306	1	
2	Sales Kit – 15A mains cable - [AU]	30012774	1	
3	Sales Kit – 16A mains cable - [EU]	30012775	1	
4	Sales Kit – 30A mains cable - [3G4] - UC	30012385	1	
5	Sales Kit – 3 Phase mains cable - [5G2.5]	30014548	1	
6	Sales Kit – 3 Phase mains cable - [4G2.5]	30014550	1	

## 19. Fastener Kit (30018806)

Item	Description	Part number	QTY.	Note
1	M5 Thin Nylock nut (ISO 10511)		5	Available with Fastener Kit
2	M3 Thin Nylock nut (ISO 10511)		5	Available with Fastener Kit
3	M3x8 Pozi Pan screw A4		5	Available with Fastener Kit
4	M6x20 pozi CSK Screw A4		4	Available with Fastener Kit
5	M6x12 pozi pan screw A4		4	Available with Fastener Kit
6	M4 x 10mm Posi pan head screw		15	Available with Fastener Kit
7	M4 Nylock nut (ISO 7040)		5	Available with Fastener Kit
8	M12 Thin nut		2	Available with Fastener Kit
9	M5 Flange nut (DIN 6923)		25	Available with Fastener Kit
10	M3 Flange nut (DIN 6923)		5	Available with Fastener Kit
11	M5 x 50 hex head screw (ISO 4017)		4	Available with Fastener Kit
12	2.5x10mm PT screw		5	Available with Fastener Kit
13	3.5x10mm posi pan head PT screw		5	Available with Fastener Kit
14	M5 x10mm Posi Head Screw		15	Available with Fastener Kit

## 20. 60Hz Variant

Item	Description	Part number	QTY.	Note
1	Wash Pump Assembly 60hz	30018136	1	
2	Rinse pump Assembly 60hz	30018596	1	
3	Drain Pump 60hz	30018600	1	